



Additional information:

We reserve the right to make technical changes or modify the contents of this document without prior notice.

SHARE Ltd. Does not accept any responsibility whatsoever for potential errors or possible lack of information in this document.

We can offer that even custom-made transformers will be covered by approvals from UL, CSA, KEMA, etc., but we will be happy to assist you in implementing them. New approvals may be required.

FEATURES:

- 0.3A to 10A ratings
- 0.7mH to 100mH dual chokes
- Excellent Mechanical Strength
- 100KHz to 3MHz common mode resonance
- High Reliability and variant PCB-mount housing
- Low resistance and temperature rise

- Bulk packaging is standard
- Custom design available

- DC/DC, AC/DC line noise suppression
- Communication System
- Automotive Systems
- LCD/PDP Televisions
- Computer Peripheral Equipment It accord with the standards of FCC VCCI CISPR FTZ,etc, eliminating of electromagnetic noise of power and signal circuit.

TECHNICAL INFORMATION:

- Inductance tolerance in +50% -30%
- Max operating voltage:250V at 40jæ
- IDC Max: rating AC/DC current A @40jæ
- Hi-Pot 2500Vac winding to winding 3S.
- Inductance Testing: 10KHz 0.1V HP4284A
- RDC:QuadTech 1880 Milliohmeter
- Surge current Max 10ms: 20X IDC
- Operating temperature: -40°C to +105°C
- Storage Temperature: -40°C to +105°C
- Resistance to soldering heat:260°C for 10 seconds
- Marking: Part number and date code

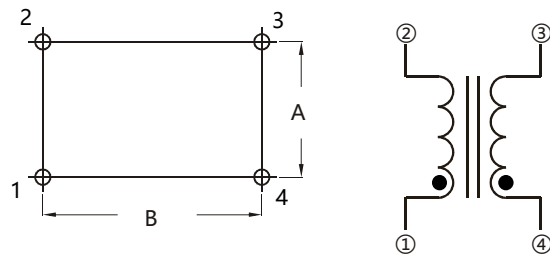
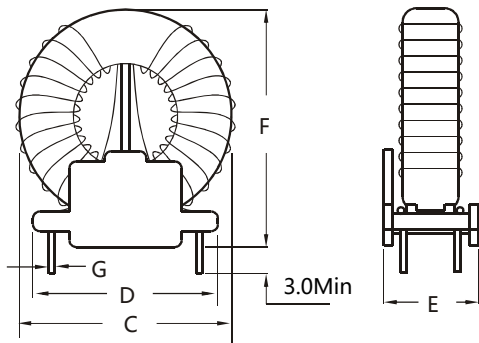
Note:

All specifications subject to change without notice.

STANDARD SPECIFICATIONS:

Part Number	Inductance (mH Min.)	RATED RMS Current Amps	DCR each winding (Ohms Max)	Leakage (µH) Type
SH-RF3518-163Y	16.0	1.5	0.320	180
SH-RF3518-103Y	10.0	2.2	0.240	130
SH-RF3518-802Y	8.0	2.5	0.120	90
SH-RF3518-402Y	4.0	3.5	0.040	45
SH-RF3518-302Y	3.0	6.0	0.030	35
SH-RF3518-202Y	2.0	9.0	0.020	25
SH-RF3518-102Y	1.0	15.0	0.010	12
SH-RF3622-163Y	16.0	2.2	0.40	180
SH-RF3622-103Y	10.0	3.0	0.35	130
SH-RF3622-802Y	8.0	3.5	0.143	85
SH-RF3622-402Y	4.0	5.4	0.105	45
SH-RF3622-302Y	3.0	6.5	0.054	35
SH-RF3622-202Y	2.0	8.7	0.020	25
SH-RF3622-122Y	1.2	15	0.010	12

Part Number	Inductance (mH Min.)	RATED RMS Current Amps	DCR each winding (Ohms Max)	Leakage (µH) Type
SH-RF4525-563Y	56.0	1.8	1.0	550
SH-RF4525-333Y	33.0	2.0	0.730	300
SH-RF4525-223Y	22.0	3.2	0.352	280
SH-RF4525-153Y	15.0	4.2	0.132	150
SH-RF4525-123Y	12.0	6.8	0.098	95
SH-RF4525-502Y	5.0	12	0.035	50
SH-RF4525-302Y	3.0	15	0.009	20
SH-RF5230-124Y	120.0	1.5	1.15	900
SH-RF5230-723Y	72.0	2.6	0.50	600
SH-RF5230-333Y	33.0	4.2	0.124	450
SH-RF5230-223Y	22.0	6.0	0.117	180
SH-RF5230-153Y	15.0	9.0	0.060	180
SH-RF5230-103Y	10.0	15	0.033	120
SH-RF5230-602Y	6.0	18	0.028	100



DIMENSIONS IN:mm

Part number	A	B	C	D	E	F	G
SH-RF3518	10.16	20.32	34.3	25.4	17.78	31.52	1.2
SH-RF3622	15.24	22.86	36.83	27.94	22.86	33.5	1.2
SH-RF4525	17.78	30.48	44.45	35.56	25.4	44.7	1.2
SH-RF5230	22.86	38.1	52.07	43.18	30.48	58.0	1.2