

SHAT SERIES ECONOMY AUDIO DRY (NO DC) COUPLING TRANSFORMERS



Additional information:

We reserve the right to make technical changes or modify the contents of this document without prior notice.

SHARE Ltd. Does not accept any responsibility what so ever for potential errors or possible lack of information in this document.

We can offer that even custom-made transformers will be covered by approvals from UL, CSA, KEMA, etc., but we will be happy to assist you in implementing them.

New approvals may be required.

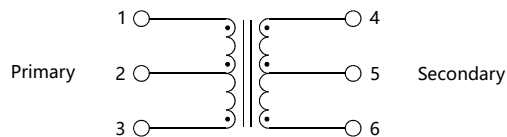
FEATURES:

- Metric size
- Low cost
- Dielectric strength-1000VAC (PRI-SEC-CORE)
- Resistance $\pm 20\%$
- All impedances $\pm 10\%$ (at 1kHz)

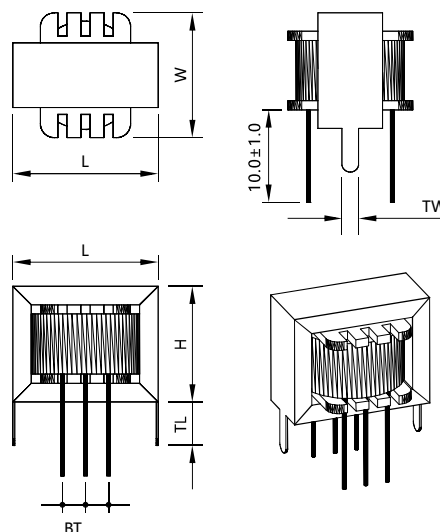
- Bulk packaging is standard
- Custom design available

- Telephony
- Audio coupling / isolating
- Alarm system

STANDARD SPECIFICATIONS:



Schematic



ALL DIMENSIONS IN MM

Part No.	Size	Description	Impedance(°C)		DC Resistance	
			Pri.	Sec.	Pri.	Sec.
SHAT-201	1	Output	500 C.T.	8 C.T.	35	0.8
SHAT-130	1	Coupling	600 C.T.	600 C.T.	45	40
SHAT-202	1	Output	1K C.T.	8 C.T.	60	0.8
SHAT-203	1	Coupling	10K C.T.	600 C.T.	450	100
SHAT-204	1	Driver	10K C.T.	2K C.T.	500	200
SHAT-301	2	Output	500 C.T.	8 C.T.	22	0.8
SHAT-302	2	Interstage	500 C.T.	500 C.T.	30	28
SHAT-303	2	Output	1.2K C.T.	8 C.T.	80	0.8
SHAT-304	2	Output	48 C.T.	8 C.T.	2.5	0.5
SHAT-305	2	Output	200 C.T.	8 C.T.	12	0.8
SHAT-400	3	Output	200 C.T.	8 C.T.	12	0.8
SHAT-401	3	Output	500 C.T.	8 C.T.	26	0.8
SHAT-129	3	Coupling	600 C.T.	600 C.T.	65	55
SHAT-402	3	Output	800 C.T.	8 C.T.	40	0.8
SHAT-403	3	Output	1.2K C.T.	8 C.T.	80	0.8
SHAT-404	3	Interstage	1.5K C.T.	500 C.T.	120	50
SHAT-405	3	Coupling	10K C.T.	600 C.T.	600	100
SHAT-406	3	Driver	10K C.T.	2K C.T.	600	155
SHAT-500	4	Output	48 C.T.	8 C.T.	2.5	0.5
SHAT-501	4	Output	120 C.T.	8 C.T.	7	0.7
SHAT-502	4	Output	200 C.T.	8 C.T.	12	0.5
SHAT-503	4	Output	500 C.T.	8 C.T.	18	0.7
SHAT-504	4	Interstage	500 C.T.	500 C.T.	35	28
SHAT-505	4	Driver	10K C.T.	2K C.T.	600	155
SHAT-506	4	Output	1.2K C.T.	8 C.T.	75	0.8
SHAT-507	4	Coupling	600 C.T.	600 C.T.	65	55

Part No.	size 1 EI-14	size 2 EI-16	size 3 EI-19	size 4 EI-24
L	15.2	17.7	20.3	25.3
H	11.0	14.0	16.2	19.0
W	12.0	16.0	14.5	16.9
TW	2.0	2.2	2.2	2.6
TL	3.8	4.0	4.2	4.8
BT	2.5	2.8	3.0	4.5

- Size 1: EI-14 series 0.75watts max. / TCW leads 0.4mm DIA.(0.0159)#26 AWG
- Size 2: EI-16 series 0.1watts max. / TCW leads 0.43mm DIA.(0.0179)#25 AWG
- Size 3: EI-19 series 0.2watts max. / TCW leads 0.4mm DIA.(0.0159)#25 AWG
- Size 4: EI-24 series 0.46watts max. / TCW leads 0.48mm DIA.(0.02)#24 AWG