

# SH-GS 1014-1159 SERIES THROUGH-HOLE RADIAL SHIELDED POWER INDUCTOR



## FEATURES:

- Magnetically Shielded Construction
- Heat Resistant Molded Resin
- Excellent Mechanical Strength
- Excellent Solderability
- High Reliability
- Low Profile
- Packaging: Tape & Reel is standard (Qty:2000pcs)
- Bulk packaging available for smaller quantities
- Tolerance: 10% and 5% is standard, tighter tolerances available
- VCRs, AC/DC, DC/DC Converter
- Video Cameras
- Communication System
- Automotive Systems
- Liquid Crystal Televisions
- Power Supplier
- Network Systems
- Computer Peripheral Equipment

## TECHNICAL INFORMATION:

- Testing: (Equivalent acceptable)
- Inductance: HP4284A
- RDC: QuadTech 1880 Milliohmmeter
- Q: HP4342A - SRF-HP4191A
- IDC Max is decreased 10% against its initial value
- Operating temperature: -40°C to +105°C
- Storage Temperature: -40°C to +105°C
- Solder methods: Vapor Phase, Infrared Reflow
- Resistance to soldering heat: 260°C for 10 seconds
- Solvent resistance: Conforms to MIL-STD-202E
- Marking: Inductance & Tolerance

Note: All specifications subject to change without notice



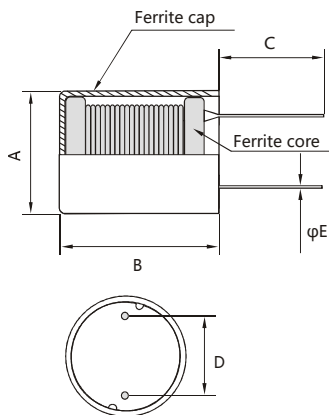
### Additional information:

We reserve the right to make technical changes or modify the contents of this document without prior notice.

SHARE Ltd. Does not accept any responsibility what so ever for potential errors or possible lack of information in this document.

We can offer that even custom-made transformers will be covered by approvals from UL, CSA, KEMA, etc., but we will be happy to assist you in implementing them. New approvals may be required.

## STANDARD SPECIFICATIONS:



Part Number	A	B	C	D	E
SH-GS1009	11.0Max	9.5Max	5.0Min	5.0±0.5	0.7
SH-GS1014	11.0Max	14.0Max	5.0Min	5.0±0.5	0.7
SH-GS1216	12.5Max	16.0Max	5.0Min	5.0±0.5	0.8
SH-GS1519	16.0Max	19.5Max	5.0Min	7.5±0.5	0.8

dimension(mm)

Part Number	L mH	Test Freq Khz	Q Min	DCR (Ω) Max	IDC Max mA
SH-GS1014-122K	1.2	1	50	1.2	200
SH-GS1014-152K	1.5	1	50	1.5	200
SH-GS1014-182K	1.8	1	50	1.6	200
SH-GS1014-222K	2.2	1	50	1.8	200
SH-GS1014-272K	2.7	1	40	1.9	200
SH-GS1014-332K	3.3	1	40	2.3	200
SH-GS1014-392K	3.9	1	40	2.5	200
SH-GS1014-472K	4.7	1	40	3.7	140
SH-GS1014-502K	5.0	1	40	3.8	140
SH-GS1014-562K	5.6	1	40	4.0	140
SH-GS1014-682K	6.8	1	40	4.2	140
SH-GS1014-822K	8.2	1	40	5.3	140
SH-GS1014-103K	10	1	100	7.3	100
SH-GS1014-123K	12	1	100	8.3	100
SH-GS1014-153K	15	1	100	11.0	90
SH-GS1014-183K	18	1	100	13.6	75
SH-GS1014-223K	22	1	100	15.4	75
SH-GS1014-273K	27	1	100	17.9	75
SH-GS1014-333K	33	1	100	23.3	60
SH-GS1014-393K	39	1	100	25.9	60
SH-GS1014-473K	47	1	80	30.4	60
SH-GS1014-503K	50	1	80	37.8	50
SH-GS1014-563K	56	1	80	39.1	50
SH-GS1014-683K	68	1	50	40	50
SH-GS1014-823K	82	1	50	47	40
SH-GS1014-104K	100	1	120	50	40
SH-GS1014-124K	120	1	100	91	30
SH-GS1014-154K	150	1	90	140	20
SH-GS1014-184K	180	1	90	164	20
SH-GS1014-224K	220	1	90	182	20
SH-GS1014-274K	270	1	90	200	20
SH-GS1014-334K	330	1	80	275	15
SH-GS1014-394K	390	1	80	300	15
SH-GS1014-474K	470	1	80	345	15
SH-GS1014-564K	560	1	60	520	8.4
SH-GS1014-684K	680	1	60	590	8.4
SH-GS1014-824K	820	1	50	675	8.4
SH-GS1014-105K	1000	1	50	770	8.4
SH-GS1014-125K	1200	1	50	845	8.4

Note: 1. K=±10%, M=±20%