

Linear Power Transformers

We manufacture a wide variety of transformers featuring compactness and high reliability for consumer and industrial electronics products and for other electronic equipment according to their applications. Matching a large variety of laminated steel sizes, vertical and horizontal bobbins of various types are available to meet optimal design.



APPLICATIONS:

Consumer and industrial electronics products.

FEATURES:

- High reliability
- High magnetic flux density & low core loss in 50/60Hz
- Easy mounting on printed wiring boards or Casing.
- High safety using abundant fire-retardant materials.
- High dielectric withstand satisfies safety standards.
- UL Approved insulation material used.
- Meet International safety standard.

GENERAL CHARACTERISTIC:

Power Capacity: 1VA to 1000VA +

Operating Frequency: 50/60Hz (to 1000KHz +)

Available Laminated size:

EI-19 to EI-133, UI29-UI48

Toroid:

Dia. 50mm - Dia. 300mm

Operating Temperature: up to 155°C



RoHS **REACH**

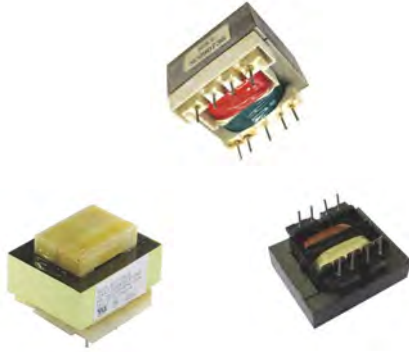
Additional information:

We reserve the right to make technical changes or modify the contents of this document without prior notice. SHARE Ltd. Does not accept any responsibility what so ever for potential errors or possible lack of information in this document.

We can offer that even custom-made transformers will be covered by approvals from UL, CSA, KEMA, etc., but we will be happy to assist you in implementing them.

New approvals may be required.

SHA SERIES SPLIT-BOBBIN LINEAR POWER TRANSFORMER



FEATURES

- The Series of International Transformers are designed and built to meet U.S. and international safety standards: EN60950, UL-1950, CSA 22.2 No.950
- Built with dual bobbins with insulating shrouds to provide 4000V RMS isolation between primary and secondary; eliminates the need for an electronic shield
- Approved to CSA22.2 No.66
- Class B insulation 130°
- Bobbin PIN: SQ PC Terminals
- Materials are recognized by UL and SGS

Additional information:

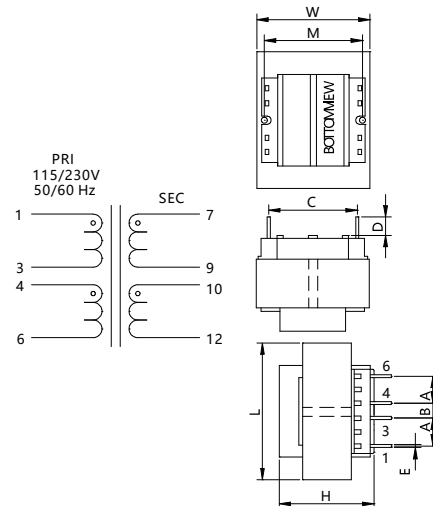
We reserve the right to make technical changes or modify the contents of this document without prior notice. SHARE Ltd. Does not accept any responsibility what so ever for potential errors or possible lack of information in this document.

We can offer that even custom-made transformers will be covered by approvals from UL, CSA, KEMA, etc., but we will be happy to assist you in implementing them.
New approvals may be required.

PART NUMBER	VA (SIZE)	SECONDARY RMS RATING		PART NUMBER	VA (SIZE)	SECONDARY RMS RATING		PART NUMBER	VA (SIZE)	SECONDARY RMS RATING	
		Series	Parallel			Series	Parallel			Series	Parallel
SHA-2.5-10	2.5	10V C.T. @ 0.25A	5V @ 0.5A	SHA-10-16	10	16V C.T. @ 0.62A	8V @ 1.24A	SHA-30-24	30	24V C.T. @ 1.25A	12V @ 2.5A
SHA-5-10	5	10V C.T. @ 0.5A	5V @ 1.0A	SHA-20-16	20	16V C.T. @ 1.25A	8V @ 2.5A	SHA-56-24	56	24V C.T. @ 2.33A	12V @ 4.66A
SHA-10-10	10	10V C.T. @ 1.0A	5V @ 2.0A	SHA-30-16	30	16V C.T. @ 1.9A	8V @ 3.8A	SHA-2.5-28	2.5	28V C.T. @ 0.09A	14V @ 0.18A
SHA-20-10	20	10V C.T. @ 2.0A	5V @ 4.0A	SHA-56-16	56	16V C.T. @ 3.5A	8V @ 7.0A	SHA-5-28	5	28V C.T. @ 0.18A	14V @ 0.36A
SHA-30-10	30	10V C.T. @ 3.0A	5V @ 6.0A	SHA-2.5-20	2.5	20V C.T. @ 0.12A	10V @ 0.24A	SHA-10-28	10	28V C.T. @ 0.36A	14V @ 0.72A
SHA-56-10	56	10V C.T. @ 5.6A	5V @ 11.2A	SHA-5-20	5	20V C.T. @ 0.25A	10V @ 0.5A	SHA-20-28	20	28V C.T. @ 0.72A	14V @ 1.44A
SHA-2.5-12	2.5	12.6V C.T. @ 0.2A	6.3V @ 0.4A	SHA-10-20	10	20V C.T. @ 0.5A	10V @ 1.0A	SHA-30-28	30	28V C.T. @ 1.06A	14V @ 2.12A
SHA-5-12	5	12.6V C.T. @ 0.4A	6.3V @ 0.8A	SHA-20-20	20	20V C.T. @ 1.0A	10V @ 2.0A	SHA-56-28	56	28V C.T. @ 2.0A	14V @ 4.0A
SHA-10-12	10	12.6V C.T. @ 0.8A	6.3V @ 1.6A	SHA-30-20	30	20V C.T. @ 1.5A	10V @ 3.0A	SHA-2.5-36	2.5	36V C.T. @ 0.07A	18V @ 0.14A
SHA-20-12	20	12.6V C.T. @ 1.6A	6.3V @ 3.2A	SHA-56-20	56	20V C.T. @ 2.8A	10V @ 5.6A	SHA-5-36	5	36V C.T. @ 0.14A	18V @ 0.28A
SHA-30-12	30	12.6V C.T. @ 2.4A	6.3V @ 4.8A	SHA-2.5-24	2.5	24V C.T. @ 0.1A	12V @ 0.2A	SHA-10-36	10	36V C.T. @ 0.28A	18V @ 0.56A
SHA-56-12	56	12.6V C.T. @ 4.4A	6.3V @ 8.8A	SHA-5-24	5	24V C.T. @ 0.21A	12V @ 0.42A	SHA-20-36	20	36V C.T. @ 0.56A	18V @ 1.12A
SHA-2.5-16	2.5	16V C.T. @ 0.15A	8V @ 0.3A	SHA-10-24	10	24V C.T. @ 0.42A	12V @ 0.84A	SHA-30-36	30	36V C.T. @ 0.82A	18V @ 1.64A
SHA-5-16	5	16V C.T. @ 0.31A	8V @ 0.62A	SHA-20-24	20	24V C.T. @ 0.83A	12V @ 1.66A	SHA-56-36	56	36V C.T. @ 1.56A	18V @ 3.12A

MECHANICAL DRAWING (mm)

VA	L	W	H	A	B	C
2.50	41.28	33.32	28.58	5.08	6.35	25.40
5.00	41.28	33.32	28.58	5.08	10.16	25.40
10.00	47.63	39.67	34.93	5.08	10.16	28.96
20.00	57.15	47.63	41.28	10.16	10.16	37.08
30.00	66.68	55.55	39.67	12.70	6.99	42.67
56.00	76.20	63.50	46.02	15.24	7.62	48.26



SHB SERIES SPLIT-BOBBIN LINEAR POWER TRANSFORMER



FEATURES

- The Series of International Transformers are designed and built to meet U.S. and international safety standards: EN60950, UL-1950, CSA 22.2 No.950
- Built with dual bobbins with insulating shrouds to provide 4000V RMS isolation between primary and secondary; eliminates the need for an electronic shield
- Approved to CSA22.2 No.66
- Class B insulation 130°
- Materials are recognized by UL and SGS

Additional information:

We reserve the right to make technical changes or modify the contents of this document without prior notice. SHARE Ltd. Does not accept any responsibility what so ever for potential errors or possible lack of information in this document.

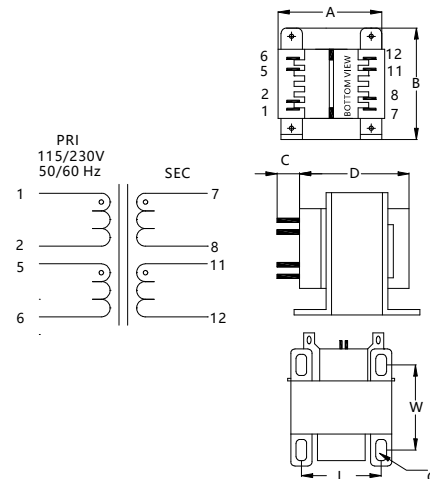
We can offer that even custom-made transformers will be covered by approvals from UL, CSA, KEMA, etc., but we will be happy to assist you in implementing them.
New approvals may be required.



PART NUMBER	VA (SIZE)	SECONDARY RMS RATING		PART NUMBER	VA (SIZE)	SECONDARY RMS RATING		PART NUMBER	VA (SIZE)	SECONDARY RMS RATING	
		Series	Parallel			Series	Parallel			Series	Parallel
SHB-25-10	25	10V C.T. @ 2.5A	5V @ 5.0A	SHB-175-16	175	16V C.T. @ 11.0A	8V @ 22.0A	SHB-80-28	80	28V C.T. @ 2.8A	14V @ 5.6A
SHB-43-10	43	10V C.T. @ 4.3A	5V @ 8.6A	SHB-25-20	25	20V C.T. @ 1.25A	10V @ 2.5A	SHB-130-28	130	28V C.T. @ 4.6A	14V @ 9.2A
SHB-80-10	80	10V C.T. @ 8.0A	5V @ 16.0A	SHB-43-20	43	20V C.T. @ 2.2A	10V @ 4.4A	SHB-175-28	175	28V C.T. @ 6.25A	14V @ 12.5A
SHB-130-10	130	10V C.T. @ 13.0A	5V @ 26.0A	SHB-80-20	80	20V C.T. @ 4.0A	10V @ 8.0A	SHB-25-36	25	36V C.T. @ 0.7A	18V @ 1.4A
SHB-175-10	175	10V C.T. @ 17.5A	5V @ 35.0A	SHB-130-20	130	20V C.T. @ 6.5A	10V @ 13.0A	SHB-43-36	43	36V C.T. @ 1.2A	18V @ 2.4A
SHB-25-12	25	12.6V C.T. @ 2.0A	6.3V @ 4.0A	SHB-175-20	175	20V C.T. @ 8.8A	10V @ 17.6A	SHB-80-36	80	36V C.T. @ 2.2A	18V @ 4.4A
SHB-43-12	43	12.6V C.T. @ 3.4A	6.3V @ 6.8A	SHB-25-24	25	24V C.T. @ 1.0A	12V @ 2.0A	SHB-130-36	130	36V C.T. @ 3.6A	18V @ 7.2A
SHB-80-12	80	12.6V C.T. @ 6.3A	6.3V @ 12.6A	SHB-43-24	43	24V C.T. @ 1.8A	12V @ 3.6A	SHB-175-36	175	36V C.T. @ 4.8A	18V @ 9.6A
SHB-130-12	130	12.6V C.T. @ 10.3A	6.3V @ 20.6A	SHB-80-24	80	24V C.T. @ 3.3A	12V @ 6.6A	SHB-25-230	25	230V C.T. @ 0.11A	115V @ 0.22A
SHB-175-12	175	12.6V C.T. @ 14.0A	6.3V @ 28.0A	SHB-130-24	130	24V C.T. @ 5.4A	12V @ 10.8A	SHB-43-230	43	230V C.T. @ 0.19A	115V @ 0.38A
SHB-25-16	25	16V C.T. @ 1.6A	8V @ 3.2A	SHB-175-24	175	24V C.T. @ 7.3A	12V @ 14.6A	SHB-80-230	80	230V C.T. @ 0.35A	115V @ 0.7A
SHB-43-16	43	16V C.T. @ 2.7A	8V @ 5.4A	SHB-25-28	25	28V C.T. @ 0.9A	14V @ 1.8A	SHB-130-230	130	230V C.T. @ 0.57A	115V @ 1.14A
SHB-80-16	80	16V C.T. @ 5.0A	8V @ 10.0A	SHB-43-28	43	28V C.T. @ 1.5A	14V @ 3.0A	SHB-175-230	175	230V C.T. @ 0.76A	115V @ 1.52A
SHB-130-16	130	16V C.T. @ 8.1A	8V @ 16.2A								

MECHANICAL DRAWING (mm)

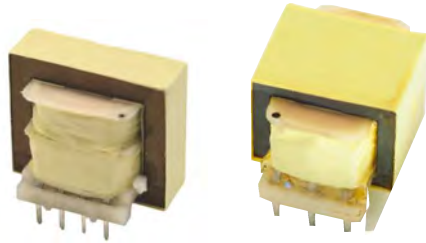
VA	L	W	H	A	B	C
25	71.42	47.63	58.72	50.8	28.58	7.92
43	79.38	52.37	68.25	57.15	28.58	7.92
80	63.5	60.33	76.2	-	34.93	7.92
130	71.42	73.03	85.73	-	41.28	9.53
175	79.38	73.03	95.25	-	41.28	9.53



SHC / SHCA SERIES SPLIT-BOBBIN LINEAR POWER TRANSFORMER

FEATURES

- This type has a complete and diversified of miniature plug-in power transformers. Primary ratings of 115V(style SHC-6PIN) Dual 115/230V (style SHCA-8PIN) are standard for the entire line.
- Transformer are not readily available, especially with a height of 35mm.
- Approved to CSA 22.2 No.66
- Class B insulation 130°
- 1500V Hi-POT standard
- Materials are recognized by UL and SGS



Additional information:

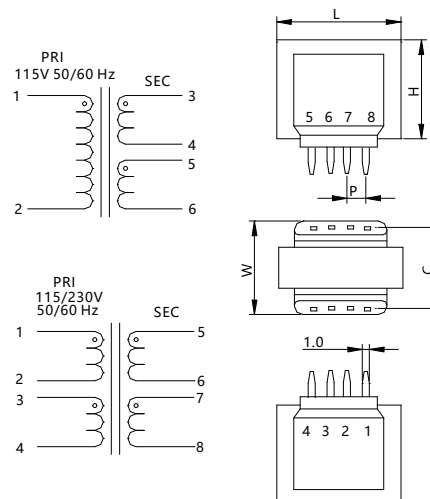
We reserve the right to make technical changes or modify the contents of this document without prior notice. SHARE Ltd. Does not accept any responsibility what so ever for potential errors or possible lack of information in this document.

We can offer that even custom-made transformers will be covered by approvals from UL, CSA, KEMA, etc., but we will be happy to assist you in implementing them.
New approvals may be required.

PART NUMBER		SECONDARY RMS RATING		PART NUMBER		SECONDARY RMS RATING		PART NUMBER		SECONDARY RMS RATING	
Single(6 Pin)	Dual 115/230V (8 Pin)	Series	Parallel	Single(6 Pin)	Dual 115/230V (8 Pin)	Series	Parallel	Single(6 Pin)	Dual 115/230V (8 Pin)	Series	Parallel
SHC 10-90	SHCA 10-90	10V C.T. @ 90mA	5V @ 180mA	SHC 20-500	SHCA 20-500	20V C.T. @ 500mA	10V @ 1A	SHC 34-700	SHCA 34-700	34V C.T. @ 700mA	17V @ 1.4A
SHC 10-120	SHCA 10-120	10V C.T. @ 120mA	5V @ 240mA	SHC 20-1200	SHCA 20-1200	20V C.T. @ 1.2A	10V @ 2.4A	SHC 40-20	SHCA 40-20	40V C.T. @ 20mA	20V @ 40mA
SHC 10-440	SHCA 10-440	10V C.T. @ 440mA	5V @ 880mA	SHC 24-35	SHCA 24-35	24V C.T. @ 35mA	12V @ 70mA	SHC 40-30	SHCA 40-30	40V C.T. @ 30mA	20V @ 60mA
SHC 10-1000	SHCA 10-1000	10V C.T. @ 1A	5V @ 2A	SHC 24-50	SHCA 24-50	24V C.T. @ 50mA	12V @ 100mA	SHC 40-110	SHCA 40-110	40V C.T. @ 110mA	20V @ 220mA
SHC 10-2400	SHCA 10-2400	10V C.T. @ 2.4A	5V @ 4.8A	SHC 24-180	SHCA 24-180	24V C.T. @ 180mA	12V @ 360mA	SHC 40-250	SHCA 40-250	40V C.T. @ 250mA	20V @ 500mA
SHC 12-70	SHCA 12-70	12.6V C.T. @ 70mA	6.3V @ 140mA	SHC 24-450	SHCA 24-450	24V C.T. @ 450mA	12V @ 900mA	SHC 40-600	SHCA 40-600	40V C.T. @ 600mA	20V @ 1.2A
SHC 12-100	SHCA 12-100	12.6V C.T. @ 100mA	6.3V @ 200mA	SHC 24-1000	SHCA 24-1000	24V C.T. @ 1A	12V @ 2A	SHC 56-15	SHCA 56-15	56V C.T. @ 15mA	28V @ 30mA
SHC 12-350	SHCA 12-350	12.6V C.T. @ 350mA	6.3V @ 700mA	SHC 28-30	SHCA 28-30	28V C.T. @ 30mA	14V @ 60mA	SHC 56-20	SHCA 56-20	56V C.T. @ 20mA	28V @ 40mA
SHC 12-800	SHCA 12-800	12.6V C.T. @ 800mA	6.3V @ 1.6A	SHC 28-40	SHCA 28-40	28V C.T. @ 40mA	14V @ 80mA	SHC 56-80	SHCA 56-80	56V C.T. @ 80mA	28V @ 160mA
SHC 12-2000	SHCA 12-2000	12.6V C.T. @ 2A	6.3V @ 4A	SHC 28-160	SHCA 28-160	28V C.T. @ 160mA	14V @ 320mA	SHC 56-180	SHCA 56-180	56V C.T. @ 180mA	28V @ 360mA
SHC 16-55	SHCA 16-55	16V C.T. @ 55mA	8V @ 110mA	SHC 28-360	SHCA 28-360	28V C.T. @ 360mA	14V @ 720mA	SHC 56-420	SHCA 56-420	56V C.T. @ 420mA	28V @ 840mA
SHC 16-75	SHCA 16-75	16V C.T. @ 75mA	8V @ 150mA	SHC 28-800	SHCA 28-800	28V C.T. @ 800mA	14V @ 1.6A	SHC 120-8	SHCA 120-8	120V C.T. @ 8mA	60V @ 16mA
SHC 16-260	SHCA 16-260	16V C.T. @ 260mA	8V @ 520mA	SHC 34-25	SHCA 34-25	34V C.T. @ 25mA	17V @ 50mA	SHC 120-10	SHCA 120-10	120V C.T. @ 10mA	60V @ 20mA
SHC 16-640	SHCA 16-640	16V C.T. @ 640mA	8V @ 1.28A	SHC 34-35	SHCA 34-35	34V C.T. @ 35mA	17V @ 70mA	SHC 120-35	SHCA 120-35	120V C.T. @ 35mA	60V @ 70mA
SHC 16-1500	SHCA 16-1500	16V C.T. @ 1.5A	8V @ 3A	SHC 34-125	SHCA 34-125	34V C.T. @ 125mA	17V @ 250mA	SHC 120-85	SHCA 120-85	120V C.T. @ 85mA	60V @ 170mA
SHC 20-60	SHCA 20-60	20V C.T. @ 60mA	10V @ 120mA	SHC 34-300	SHCA 34-300	34V C.T. @ 300mA	17V @ 60mA	SHC 120-200	SHCA 120-200	120V C.T. @ 200mA	60V @ 400mA
SHC 20-220	SHCA 20-220	20V C.T. @ 220mA	10V @ 440mA								

MECHANICAL DRAWING (mm)

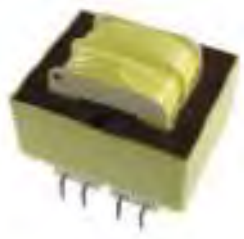
Sz	VA	L	W	H	P(6PIN)	P(8PIN)	C
2	1	25.4	34.93	21.08	6.35	5.08	30.48
3	1.2	34.93	28.58	30.15	7.92	5.08	25.4
4	4.4	41.28	31.75	34.93	10.16	6.35	27.94
5	10	47.63	36.5	41.28	10.16	6.35	33.02
6	24	41.28	57.15	34.93	10.16	6.35	53.34



SHD / SHDA SERIES SPLIT-BOBBIN LINEAR POWER TRANSFORMER

FEATURES

- SECL has a complete and diversified selection of miniature plug-in power transformer. Primary ratings of 115v (style SHD-6 pin) Dual 115/230v(style SHDA-8 pin) are standard For the entire line.
- PC pins-allow direct insertion in PC boards.
- UL recognized is Class B insulation 130°
- HI-POT 2500V RMS
- PINS 2 & 3 Omitted on single primary versions(Only for SHD-6PIN Style.)
- Clearance hold for optional MTG. screw and nut.



Additional information:

We reserve the right to make technical changes or modify the contents of this document without prior notice. SHARE Ltd. Does not accept any responsibility what so ever for potential errors or possible lack of information in this document.

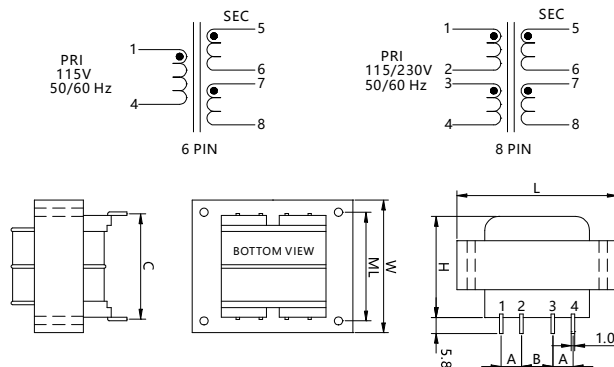
We can offer that even custom-made transformers will be covered by approvals from UL, CSA, KEMA, etc., but we will be happy to assist you in implementing them. New approvals may be required.



PART NUMBER		SECONDARY RMS RATING		PART NUMBER		SECONDARY RMS RATING		PART NUMBER		SECONDARY RMS RATING	
Single (6 Pin)	Dual 115/230V (8 Pin)	Series	Parallel	Single (6 Pin)	Dual 115/230V (8 Pin)	Series	Parallel	Single (6 Pin)	Dual 115/230V (8 Pin)	Series	Parallel
SHD2-10	SHDA2-10	10V C.T. @ 0.11A	5V @ 0.22A	SHD4-20	SHDA4-20	20V C.T. @ 0.3A	10V @ 0.6A	SHD6-36	SHDA6-36	36V C.T. @ 0.55A	18V @ 1.1A
SHD3-10	SHDA3-10	10V C.T. @ 0.25A	5V @ 0.5A	SHD5-20	SHDA5-20	20V C.T. @ 0.6A	10V @ 1.2A	SHD7-36	SHDA7-36	36V C.T. @ 1A	18V @ 2A
SHD4-10	SHDA4-10	10V C.T. @ 0.6A	5V @ 1.2A	SHD6-20	SHDA6-20	20V C.T. @ 1A	10V @ 2A	SHD2-48	SHDA2-48	48V C.T. @ 0.023A	24V @ 0.046A
SHD5-10	SHDA5-10	10V C.T. @ 1.2A	5V @ 2.4A	SHD7-20	SHDA7-20	20V C.T. @ 1.8A	10V @ 3.6A	SHD3-48	SHDA3-48	48V C.T. @ 0.05A	24V @ 0.1A
SHD6-10	SHDA6-10	10V C.T. @ 2A	5V @ 4A	SHD2-24	SHDA2-24	24V C.T. @ 0.045A	12V @ 0.09A	SHD4-48	SHDA4-48	48V C.T. @ 0.125A	24V @ 0.25A
SHD7-10	SHDA7-10	10V C.T. @ 3.6A	5V @ 7.2A	SHD3-24	SHDA3-24	24V C.T. @ 0.1A	12V @ 0.2A	SHD5-48	SHDA5-48	48V C.T. @ 0.25A	24V @ 0.5V
SHD2-12	SHDA2-12	12.6V C.T. @ 0.09A	6.3V @ 0.18A	SHD4-24	SHDA4-24	24V C.T. @ 0.25A	12V @ 0.5A	SHD6-48	SHDA6-48	48V C.T. @ 0.4A	24V @ 0.8A
SHD3-12	SHDA3-12	12.6V C.T. @ 0.2A	6.3V @ 0.4A	SHD5-24	SHDA5-24	24V C.T. @ 0.5A	12V @ 1.0A	SHD7-48	SHDA7-48	48V C.T. @ 0.75A	24V @ 1.5A
SHD4-12	SHDA4-12	12.6V C.T. @ 0.5A	6.3V @ 1.0A	SHD6-24	SHDA6-24	24V C.T. @ 0.8A	12V @ 1.6A	SHD2-56	SHDA2-56	56V C.T. @ 0.02A	28V @ 0.04A
SHD5-12	SHDA5-12	12.6V C.T. @ 1.0A	6.3V @ 2.0A	SHD7-24	SHDA7-24	24V C.T. @ 1.5A	12V @ 3.0A	SHD3-56	SHDA3-56	56V C.T. @ 0.045A	28V @ 0.09A
SHD6-12	SHDA6-12	12.6V C.T. @ 1.6A	6.3V @ 3.2A	SHD2-28	SHDA2-28	28V C.T. @ 0.04A	14V @ 0.08A	SHD4-56	SHDA4-56	56V C.T. @ 0.11A	28V @ 0.22A
SHD7-12	SHDA7-12	12.6V C.T. @ 2.85A	6.3V @ 5.7A	SHD3-28	SHDA3-28	28V C.T. @ 0.085A	14V @ 0.17A	SHD5-56	SHDA5-56	56V C.T. @ 0.22A	28V @ 0.44A
SHD2-16	SHDA2-16	16V C.T. @ 0.07A	8V @ 0.14A	SHD4-28	SHDA4-28	28V C.T. @ 0.2A	14V @ 0.4A	SHD6-56	SHDA6-56	56V C.T. @ 0.35A	28V @ 0.7A
SHD3-16	SHDA3-16	16V C.T. @ 0.15A	8V @ 0.3A	SHD5-28	SHDA5-28	28V C.T. @ 0.42A	14V @ 0.84A	SHD7-56	SHDA7-56	56V C.T. @ 0.65A	28V @ 1.3A
SHD4-16	SHDA4-16	16V C.T. @ 0.4A	8V @ 0.8A	SHD6-28	SHDA6-28	28V C.T. @ 0.7A	14V @ 1.4A	SHD2-120	SHDA2-120	120V C.T. @ 0.01A	60V @ 0.02A
SHD5-16	SHDA5-16	16V C.T. @ 0.8A	8V @ 1.6A	SHD7-28	SHDA7-28	28V C.T. @ 1.3A	14V @ 2.6A	SHD3-120	SHDA3-120	120V C.T. @ 0.02A	60V @ 0.04A
SHD6-16	SHDA6-16	16V C.T. @ 1.25A	8V @ 2.5A	SHD2-36	SHDA2-36	36V C.T. @ 0.03A	18V @ 0.06A	SHD4-120	SHDA4-120	120V C.T. @ 0.05A	60V @ 0.1A
SHD7-16	SHDA7-16	16V C.T. @ 2.25A	8V @ 4.5A	SHD3-36	SHDA3-36	36V C.T. @ 0.065A	18V @ 0.13A	SHD5-120	SHDA5-120	120V C.T. @ 0.1A	60V @ 0.2A
SHD2-20	SHDA2-20	20V C.T. @ 0.055A	10V @ 0.11A	SHD4-36	SHDA4-36	36V C.T. @ 0.17A	18V @ 0.34A	SHD6-120	SHDA6-120	120V C.T. @ 0.16A	60V @ 0.32A
SHD3-20	SHDA3-20	20V C.T. @ 0.12A	10V @ 0.24A	SHD5-36	SHDA5-36	36V C.T. @ 0.35A	18V @ 0.7A	SHD7-120	SHDA7-120	120V C.T. @ 0.3A	60V @ 0.6A

MECHANICAL DRAWING (mm)

Sz	VA	L	W	H	A	B	C	ML
2	1.1	34.9	28.6	30.7	6.35	6.35	33.3	—
3	2.4	34.9	28.6	30.2	6.35	6.35	30.5	—
4	6	41.2	33.3	33.3	6.35	8.89	32.5	26.94
5	12	47.6	39.7	36.5	7.62	10.2	43.2	31.75
6	20	57.2	47.6	36.5	7.62	10.2	36	38.1
7	36	66.7	55.6	39.7	10.2	10.2	47	—



SHE SERIES LOW PROFILE PLUG-IN LINEAR POWER TRANSFORMER

FEATURES

- Hum-bucking(semi-toroidal) construction to diminish radiated magnetic field and balance winding.
- Low profile design
- Dual primaries 115/230V,50/60Hz
- 1500V RMS Hi-POT
- Approved to CSA 22.2 No.66
- Class B insulation 130°
- Indicates like polarity regulation of
 - size 2 & 6 units is 30%
 - size 12 units is 20%
 - size 24 & 48 units is 15%
- i.e.,no load-secondary voltage is 15% higher than full load
- Materials are recognized by UL and SGS



Additional information:

We reserve the right to make technical changes or modify the contents of this document without prior notice. SHARE Ltd. Does not accept any responsibility what so ever for potential errors or possible lack of information in this document.

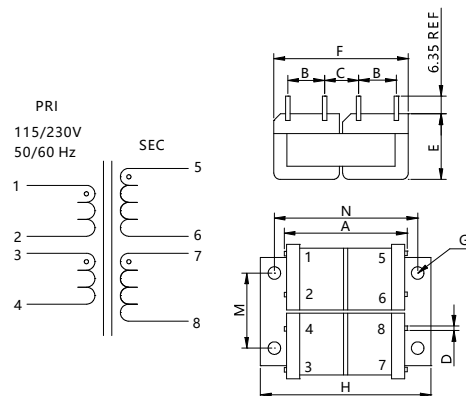
We can offer that even custom-made transformers will be covered by approvals from UL, CSA, KEMA, etc., but we will be happy to assist you in implementing them. New approvals may be required.



PART NUMBER	VA (SIZE)	Series	Parallel	PART NUMBER	VA (SIZE)	Series	Parallel	PART NUMBER	VA (SIZE)	Series	Parallel
SHE10-250	2	10V C.T. @ 250mA	5V @ 500mA	SHE20-1200	24	20V C.T. @ 1.2A	10V @ 2.4A	SHE40-150	6	40V C.T. @ 150mA	20V @ 300mA
SHE10-600	6	10V C.T. @ 600mA	5V @ 1.2A	SHE20-2400	48	20V C.T. @ 2.4A	10V @ 4.8A	SHE40-300	12	40V C.T. @ 300mA	20V @ 600mA
SHE10-1200	12	10V C.T. @ 1200mA	5V @ 2.4A	SHE24-100	2	24V C.T. @ 100mA	12V @ 200mA	SHE40-600	24	40V C.T. @ 600mA	20V @ 1.2V
SHE10-2400	24	10V C.T. @ 2.4A	5V @ 4.8A	SHE24-250	6	24V C.T. @ 250mA	12V @ 500mA	SHE40-1200	48	40V C.T. @ 1.2A	20V @ 2.4A
SHE10-4800	48	10V C.T. @ 4.8A	5V @ 9.6A	SHE24-500	12	24V C.T. @ 500mA	12V @ 1.0A	SHE56-45	2	56V C.T. @ 45mA	28V @ 90mA
SHE12-200	2	12.6V C.T. @ 200mA	6.3V @ 400mA	SHE24-1000	24	24V C.T. @ 1.0A	12V @ 2.0A	SHE56-100	6	56V C.T. @ 100mA	28V @ 200mA
SHE12-450	6	12.6V C.T. @ 450mA	6.3V @ 900mA	SHE24-2000	48	24V C.T. @ 2.0A	12V @ 4.0A	SHE56-200	12	56V C.T. @ 200mA	28V @ 400mA
SHE12-900	12	12.6V C.T. @ 900mA	6.3V @ 1.8A	SHE30-85	2	30V C.T. @ 85mA	15V @ 170mA	SHE56-425	24	56V C.T. @ 425mA	28V @ 850mA
SHE12-1900	24	12.6V C.T. @ 1.9A	6.3V @ 3.8A	SHE30-200	6	30V C.T. @ 200mA	15V @ 400mA	SHE56-850	48	56V C.T. @ 850mA	28V @ 1.7A
SHE12-3800	48	12.6V C.T. @ 3.8A	6.3V @ 7.6A	SHE30-400	12	30V C.T. @ 400mA	15V @ 800mA	SHE88-28	2	88V C.T. @ 28mA	44V @ 56mA
SHE16-150	2	16V C.T. @ 150mA	8V @ 300mA	SHE30-800	24	30V C.T. @ 800mA	15V @ 1.6A	SHE88-65	6	88V C.T. @ 65mA	44V @ 130mA
SHE16-350	6	16V C.T. @ 350mA	8V @ 700mA	SHE30-1600	48	30V C.T. @ 1.6A	15V @ 3.2A	SHE88-130	12	88V C.T. @ 130mA	44V @ 260mA
SHE16-700	12	16V C.T. @ 700mA	8V @ 1.4A	SHE34-75	2	34V C.T. @ 75mA	17V @ 150mA	SHE120-20	2	120V C.T. @ 20mA	60V @ 40mA
SHE16-1500	24	16V C.T. @ 1.5A	8V @ 3.0A	SHE34-170	6	34V C.T. @ 170mA	17V @ 340mA	SHE120-50	6	120V C.T. @ 50mA	60V @ 100mA
SHE16-3000	48	16V C.T. @ 3.0A	8V @ 6.0A	SHE34-340	12	34V C.T. @ 340mA	17V @ 680mA	SHE120-100	12	120V C.T. @ 100mA	60V @ 200mA
SHE20-125	2	20V C.T. @ 125mA	10V @ 250mA	SHE34-700	24	34V C.T. @ 700mA	17V @ 1.4A	SHE230-10	2	230V C.T. @ 10mA	115V @ 20mA
SHE20-300	6	20V C.T. @ 300mA	10V @ 600mA	SHE34-1400	48	34V C.T. @ 1.4A	17V @ 2.8A	SHE230-25	6	230V C.T. @ 25mA	115V @ 50mA
SHE20-600	12	20V C.T. @ 600mA	10V @ 1.2A	SHE40-60	2	40V C.T. @ 60mA	20V @ 120mA	SHE230-50	12	230V C.T. @ 50mA	115V @ 100mA

MECHANICAL DRAWING (mm)

VA	H	F	E	A	B	C
2	47.5	39.62	16.51	40.64	9.53	9.53
6	47.5	39.62	21.59	40.64	9.53	9.53
12	63.5	50.8	27.05	50.8	12.7	12.7
24	72.9	57.15	31.75	48.26	15.24	13.46
48	79.25	63.5	34.93	55.37	15.24	16.76



SHF / SHFA SERIES QUICK CONNECT LINEAR POWER TRANSFORMER

FEATURES

- SECL has a complete and diversified selection of miniature plug-in power transformer. Primary ratings of 115V (style SHF-5 pin) Dual 115/230V (style SHFA-7 pin) are standard For the entire line.
- PC pins-allow direct insertion in PC boards.
- Class B insulation 130°
- HI-POT 2500V RMS
- Materials are recognized by UL and SGS



Additional information:

We reserve the right to make technical changes or modify the contents of this document without prior notice. SHARE Ltd. Does not accept any responsibility what so ever for potential errors or possible lack of information in this document.

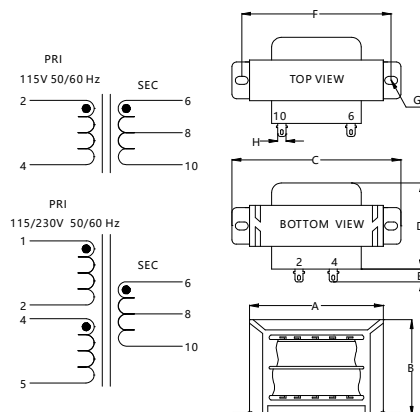
We can offer that even custom-made transformers will be covered by approvals from UL, CSA, KEMA, etc., but we will be happy to assist you in implementing them. New approvals may be required.



PART NUMBER			PART NUMBER			PART NUMBER		
Single	Dual	SECONDARY	Single	Dual	SECONDARY	Single	Dual	SECONDARY
115V	115/230V	RMS RATING	115V	115/230V	RMS RATING	115V	115/230V	RMS RATING
SHF-3-10	SHFA-4-10	10V C.T. @ 0.25A	SHF-5-20	SHFA-6-20	20V C.T. @ 0.6A	SHF-7-36	SHFA-8-36	36V C.T. @ 1.5A
SHF-4-10	SHFA-5-10	10V C.T. @ 0.6A	SHF-6-20	SHFA-7-20	20V C.T. @ 1.5A	SHF-8-36		36V C.T. @ 2.8A
SHF-5-10	SHFA-6-10	10V C.T. @ 1.2A	SHF-7-20	SHFA-8-20	20V C.T. @ 2.8A	SHF-3-48	SHFA-4-48	48V C.T. @ 0.05A
SHF-6-10	SHFA-7-10	10V C.T. @ 3.0A	SHF-8-20		20V C.T. @ 5.0A	SHF-4-48	SHFA-5-48	48V C.T. @ 0.125A
SHF-7-10	SHFA-8-10	10V C.T. @ 5.0A	SHF-3-24	SHFA-4-24	24V C.T. @ 0.1A	SHF-5-48	SHFA-6-48	48V C.T. @ 0.25A
SHF-8-10		10V C.T. @ 10A	SHF-4-24	SHFA-5-24	24V C.T. @ 0.25A	SHF-6-48	SHFA-7-48	48V C.T. @ 0.63A
SHF-3-12	SHFA-4-12	12.6V C.T. @ 0.2A	SHF-5-24	SHFA-6-24	24V C.T. @ 0.5A	SHF-7-48	SHFA-8-48	48V C.T. @ 1.2A
SHF-4-12	SHFA-5-12	12.6V C.T. @ 0.5A	SHF-6-24	SHFA-7-24	24V C.T. @ 1.25A	SHF-8-48		48V C.T. @ 2.0A
SHF-5-12	SHFA-6-12	12.6V C.T. @ 1.0A	SHF-7-24	SHFA-8-24	24V C.T. @ 2.4A	SHF-3-56	SHFA-4-56	56V C.T. @ 0.045A
SHF-6-12	SHFA-7-12	12.6V C.T. @ 2.5A	SHF-8-24		24V C.T. @ 4.0A	SHF-4-56	SHFA-5-56	56V C.T. @ 0.11A
SHF-7-12	SHFA-8-12	12.6V C.T. @ 4.0A	SHF-3-28	SHFA-4-28	28V C.T. @ 0.085A	SHF-5-56	SHFA-6-56	56V C.T. @ 0.22A
SHF-8-12		12.6V C.T. @ 8.0A	SHF-4-28	SHFA-5-28	28V C.T. @ 0.2A	SHF-6-56	SHFA-7-56	56V C.T. @ 0.54A
SHF-3-16	SHFA-4-16	16V C.T. @ 0.15A	SHF-5-28	SHFA-6-28	28V C.T. @ 0.42A	SHF-7-56	SHFA-8-56	56V C.T. @ 1.0A
SHF-4-16	SHFA-5-16	16V C.T. @ 0.4A	SHF-6-28	SHFA-7-28	28V C.T. @ 1.1A	SHF-8-56		56V C.T. @ 1.8A
SHF-5-16	SHFA-6-16	16V C.T. @ 0.8A	SHF-7-28	SHFA-8-28	28V C.T. @ 2.0A	SHF-3-120	SHFA-4-120	120V C.T. @ 0.02A
SHF-6-16	SHFA-7-16	16V C.T. @ 2.0A	SHF-8-28		28V C.T. @ 3.6A	SHF-4-120	SHFA-5-120	120V C.T. @ 0.05A
SHF-7-16	SHFA-8-16	16V C.T. @ 3.5A	SHF-3-36	SHFA-4-36	36V C.T. @ 0.065A	SHF-5-120	SHFA-6-120	120V C.T. @ 0.1A
SHF-8-16		16V C.T. @ 6.25A	SHF-4-36	SHFA-5-36	36V C.T. @ 0.17A	SHF-6-120	SHFA-7-120	120V C.T. @ 0.25A
SHF-3-20	SHFA-4-20	20V C.T. @ 0.12A	SHF-5-36	SHFA-6-36	36V C.T. @ 0.35A	SHF-7-120	SHFA-8-120	120V C.T. @ 0.5A
SHF-4-20	SHFA-5-20	20V C.T. @ 0.3A	SHF-6-36	SHFA-7-36	36V C.T. @ 0.85A	SHF-8-120		120V C.T. @ 0.85A

MECHANICAL DRAWING (mm)

Sz	VA	L	W	H	A	B	ML
3	2.4	52.37	26.97	30.15	41.28	14.27	44.45
4	6	60.33	31.75	34.93	42.85	17.45	50.8
5	12	71.42	34.93	41.28	49.2	20.62	60.33
6	30	82.55	42.85	49.2	58.72	26.97	71.42
7	56	93.65	46.02	57.15	68.25	26.97	79.38
8	96	102.39	57.15	65.07	77.77	33.32	90.47



0.35W EE20/4 SH-E2004 SERIES Encapsulation Transformer

FEATURES

Frequency 50/60Hz
Potted under vacuum
Split-bobbin
Temperature class ta 70°C/B
Short-circuit-proof (where noted:
1/2/3* under Agency Approvals)



Additional information:
We reserve the right to make technical changes or modify the contents of this document without prior notice.

SHARE Ltd. Does not accept any responsibility what so ever for potential errors or possible lack of information in this document.

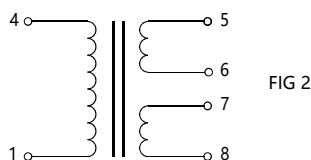
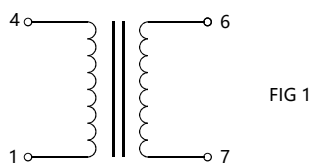
We can offer that even custom-made transformers will be covered by approvals from UL, CSA, KEMA, etc., but we will be happy to assist you in implementing them. New approvals may be required.

Bulk packaging is standard
Custom design available

Medical equipments
Industrial equipments
Industrial controls
Test equipments
Industrial computers
Avionics & telecom



TECHNICAL INFORMATION

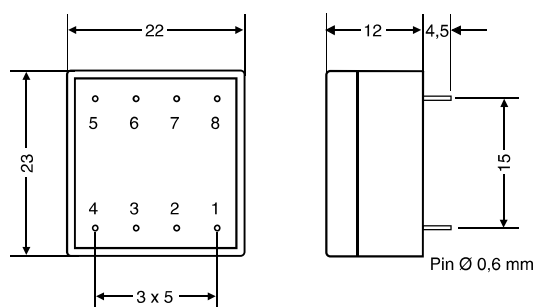


ELECTRICAL CHARACTERISTICS AT 25°C

Part Number	Primary (V)	Secondary (V/mA)	No-load voltage(V)	Fig.
SH-E200401	230	6 / 13.3	9.2	1
SH-E200402	230	9 / 8.88	13.6	1
SH-E200403	230	12 / 6.67	18.3	1
SH-E200404	230	15 / 5.33	22.6	1
SH-E200405	230	18 / 4.44	27.2	1

Part Number	Primary (V)	Secondary (V/mA)	No-load voltage(V)	Fig.
SH-E200406	115	6 / 13.3	9.2	1/2
SH-E200407	115	9 / 8.88	13.6	1/2
SH-E200408	115	12 / 6.67	18.3	1/2
SH-E200409	115	15 / 5.33	22.6	1/2
SH-E200410	115	18 / 4.44	27.2	1/2

PHYSICAL CHARACTERISTICS(unit:mm)



0.35W EE20/6.1SH-E2006 Series Encapsulation Transformer

FEATURES

It is miniaturised to be easily PCB mounted.
It has very high insulation of 4000Vrms Hi-pot.
It accords with UL94V-0 flammability requirements.
Heat-resistance reaches 130°C.
Frequency 50/60Hz.
Split-bobbin.
Short-circuit-proof.
Potted under vacuum.
Temperature class to 70°C/B.



Additional information:
We reserve the right to make technical changes or modify the contents of this document without prior notice.

SHARE Ltd. Does not accept any responsibility what so ever for potential errors or possible lack of information in this document.

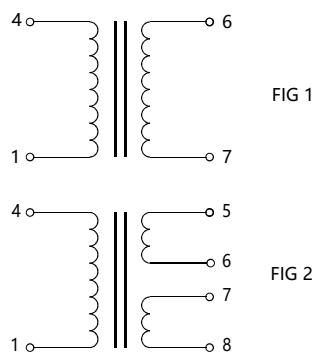
We can offer that even custom-made transformers will be covered by approvals from UL, CSA, KEMA, etc., but we will be happy to assist you in implementing them. New approvals may be required.

Bulk packaging is standard.
Custom design available.

Medical equipments.
Industrial equipments.
Industrial controls.
Test equipments.
Industrial computers.
Avionics & telecom.



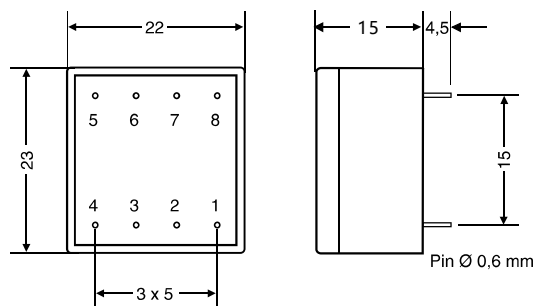
TECHNICAL INFORMATION



ELECTRICAL CHARACTERISTICS AT 25°C

Part Number	Primary (V)	Secondary (V/mA)	No-load voltage(V)	Fig.
SH-E200601	230	6 / 58.0	10.80	1
SH-E200602	230	9 / 39.0	16.50	1
SH-E200603	230	12 / 29.0	21.90	1
SH-E200604	230	15 / 23.0	27.00	1
SH-E200605	230	18 / 19.0	31.50	1
SH-E200606	230	24 / 14.0	41.70	1
SH-E200607	230	2*6 / 29.0	2*10.95	2
SH-E200608	230	2*9 / 19.0	2*15.60	2
SH-E200609	230	2*12 / 14.0	2*20.70	2
SH-E200610	230	2*15 / 12.0	2*26.00	2
SH-E200611	230	2*18 / 9.5	2*31.20	2
SH-E200612	230	2*24 / 7.0	2*41.90	2

PHYSICAL CHARACTERISTICS(unit:mm)



Part Number	Primary (V)	Secondary (V/mA)	No-load voltage(V)	Fig.
SH-E200613	115	6 / 58.0	10.80	1
SH-E200614	115	9 / 39.0	16.50	1
SH-E200615	115	12 / 29.0	21.90	1
SH-E200616	115	15 / 23.0	27.00	1
SH-E200617	115	18 / 19.0	31.50	1
SH-E200618	115	24 / 14.0	41.70	1
SH-E200619	115	2*6 / 29.0	2*10.95	2
SH-E200620	115	2*9 / 19.0	2*15.60	2
SH-E200621	115	2*12 / 14.0	2*20.70	2
SH-E200622	115	2*15 / 12.0	2*26.00	2
SH-E200623	115	2*18 / 9.5	2*31.20	2
SH-E200624	115	2*24 / 7.0	2*41.90	2

0.5W EE20/10 SH-E2010 Series Encapsulation Transformer

FEATURES

It is miniaturised to be easily PCB mounted.
 It has very high insulation of 4000Vrms Hi-pot.
 It accords with UL94V-0 flammability requirements.
 Heat-resistance reaches 130°C.
 Frequency 50/60Hz.
 Split-bobbin.
 Short-circuit-proof.
 Potted under vacuum.
 Temperature class to 70°C/B.



Additional information:
 We reserve the right to make technical changes or modify the contents of this document without prior notice.

SHARE Ltd. Does not accept any responsibility what so ever for potential errors or possible lack of information in this document.

We can offer that even custom-made transformers will be covered by approvals from UL, CSA, KEMA, etc., but we will be happy to assist you in implementing them. New approvals may be required.



Bulk packaging is standard.
 Custom design available.

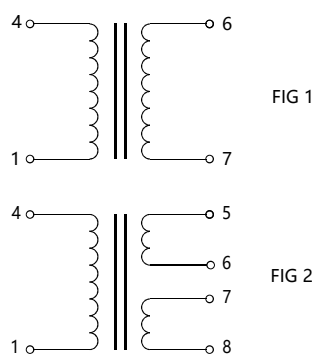
Medical equipments.
 Industrial equipments.
 Industrial controls.
 Test equipments.
 Industrial computers.
 Avionics & telecom.

1

LINER POWER

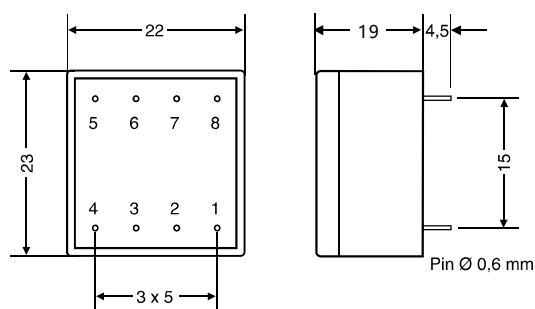
TECHNICAL INFORMATION

ELECTRICAL CHARACTERISTICS AT 25°C



Part Number	Primary (V)	Secondary (V/mA)	No-load voltage(V)	Fig.
SH-E201011	230	6 / 83	8.9	1
SH-E201012	230	9 / 55	13.5	1
SH-E201013	230	12 / 42	19.4	1
SH-E201014	230	15 / 34	24.6	1
SH-E201015	230	18 / 28	29.5	1
SH-E201016	230	24 / 21	39.6	1
SH-E201017	230	2*6 / 42	2*9.6	2
SH-E201018	230	2*9 / 28	2*15.2	2
SH-E201019	230	2*12 / 21	2*19.1	2
SH-E201020	230	2*15 / 16	2*23.3	2
SH-E201021	230	2*18 / 14	2*29.2	2
SH-E201022	230	2*24 / 10	2*38.8	2

PHYSICAL CHARACTERISTICS(unit:mm)



Part Number	Primary (V)	Secondary (V/mA)	No-load voltage(V)	Fig.
SH-E201023	115	6 / 83	8.9	1
SH-E201024	115	9 / 55	13.5	1
SH-E201025	115	12 / 42	19.4	1
SH-E201026	115	15 / 34	24.6	1
SH-E201027	115	18 / 28	29.5	1
SH-E201028	115	24 / 21	39.6	1
SH-E201029	115	2*6 / 42	2*9.6	2
SH-E201030	115	2*9 / 28	2*15.2	2
SH-E201031	115	2*12 / 21	2*19.1	2
SH-E201032	115	2*15 / 16	2*23.3	2
SH-E201033	115	2*18 / 14	2*29.2	2
SH-E201034	115	2*24 / 10	2*38.3	2

0.6W EI30/5 SH-E3005 Series Encapsulation Transformer

FEATURES

Vacuum filling.
Two compartments bobbin.
Self-extinguishing plastics UL94V-0.
Degree of protection IP67.



Additional information:
We reserve the right to make technical changes or modify the contents of this document without prior notice.

SHARE Ltd. Does not accept any responsibility what so ever for potential errors or possible lack of information in this document.

We can offer that even custom-made transformers will be covered by approvals from UL, CSA, KEMA, etc., but we will be happy to assist you in implementing them. New approvals may be required.

Bulk packaging is standard.
Custom design available.

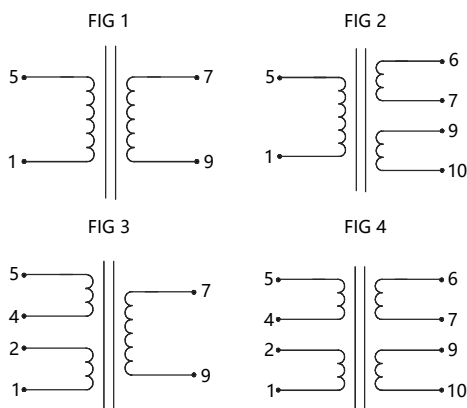
Medical equipments.
Industrial equipments.
Industrial controls.
Test equipments.
Industrial computers.
Avionics & telecom.



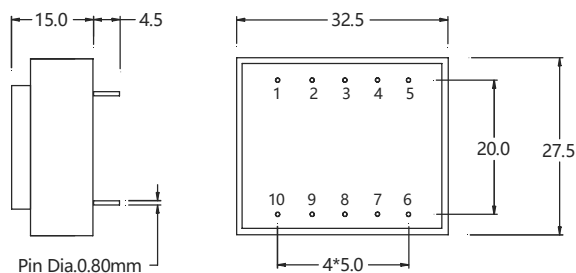
ELECTRICAL CHARACTERISTICS AT 25°C

Part Number	Primary (V)	Secondary (V/mA)	No-load voltage(V)	Fig.
SH-E300513	230	6/100	9.94	1
SH-E300514	230	9/66	14.95	1
SH-E300515	230	12/50	19.9	1
SH-E300516	230	15/40	24.9	1
SH-E300517	230	18/33	29.9	1
SH-E300518	230	24/25	39.8	1
SH-E300519	230	2*6/50	2*9.94	2
SH-E300520	230	2*9/33	2*14.95	2
SH-E300521	230	2*12/25	2*19.9	2
SH-E300522	230	2*15/20	2*24.9	2
SH-E300523	230	2*18/17	2*29.9	2
SH-E300524	230	2*24/12	2*39.8	2
SH-E300525	115	6/100	9.94	1
SH-E300526	115	9/66	14.95	1
SH-E300527	115	12/50	19.9	1
SH-E300528	115	15/40	24.9	1
SH-E300529	115	18/33	29.9	1
SH-E300530	115	24/25	39.8	1
SH-E300531	115	2*6/50	2*9.94	2
SH-E300532	115	2*9/33	2*14.95	2
SH-E300533	115	2*12/25	2*19.9	2
SH-E300534	115	2*15/20	2*24.9	2
SH-E300535	115	2*18/17	2*29.9	2
SH-E300536	115	2*24/12	2*39.8	2
SH-E300537	2*115	6/100	9.94	3
SH-E300538	2*115	9/66	14.95	3
SH-E300539	2*115	12/50	19.9	3
SH-E300540	2*115	15/40	24.9	3
SH-E300541	2*115	18/33	29.9	3
SH-E300542	2*115	24/25	39.8	3
SH-E300543	2*115	2*6/50	2*9.94	4
SH-E300544	2*115	2*9/33	2*14.95	4
SH-E300545	2*115	2*12/25	2*19.9	4
SH-E300546	2*115	2*15/20	2*24.9	4
SH-E300547	2*115	2*18/17	2*29.9	4
SH-E300548	2*115	2*24/12	2*39.8	4

TECHNICAL INFORMATION



PHYSICAL CHARACTERISTICS(unit:mm)



1.4W EI30/8 SH-E3008 Series Encapsulation Transformer

FEATURES

Vacuum filling.
Two compartments bobbin.
Self-extinguishing plastics UL94V-0.
Degree of protection IP67.



Bulk packaging is standard.
Custom design available.

Additional information:

We reserve the right to make technical changes or modify the contents of this document without prior notice.

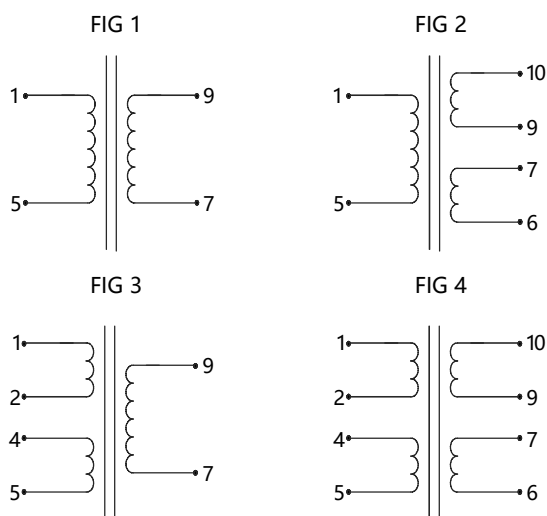
SHARE Ltd. Does not accept any responsibility what so ever for potential errors or possible lack of information in this document.

We can offer that even custom-made transformers will be covered by approvals from UL, CSA, KEMA, etc., but we will be happy to assist you in implementing them. New approvals may be required.

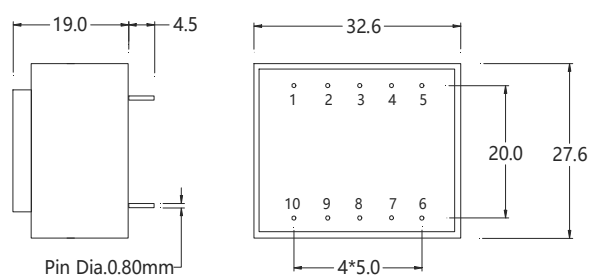
Medical equipments.
Industrial equipments.
Industrial controls.
Test equipments.
Industrial computers.
Avionics & telecom.



TECHNICAL INFORMATION



PHYSICAL CHARACTERISTICS(unit:mm)



ELECTRICAL CHARACTERISTICS AT 25°C

Part Number	Primary (V)	Secondary (V/mA)	No-load voltage(V)	Fig.
SH-E300810	230	6/233	11.0	1
SH-E300811	230	9/155	16.0	1
SH-E300812	230	12/116	21.0	1
SH-E300813	230	15/93	26.2	1
SH-E300814	230	18/77	30.5	1
SH-E300815	230	24/58	41.5	1
SH-E300816	230	2*6/116	2*11.0	2
SH-E300817	230	2*9/77	2*16.0	2
SH-E300818	230	2*12/58	2*21.0	2
SH-E300819	230	2*15/47	2*26.2	2
SH-E300820	230	2*18/39	2*30.5	2
SH-E300821	230	2*24/29	2*41.5	2
SH-E300822	115	6/233	11.0	1
SH-E300823	115	9/155	16.0	1
SH-E300824	115	12/116	21.0	1
SH-E300825	115	15/93	26.2	1
SH-E300826	115	18/77	30.5	1
SH-E300827	115	24/58	41.5	1
SH-E300828	115	2*6/116	2*11.0	2
SH-E300829	115	2*9/77	2*16.0	2
SH-E300830	115	2*12/58	2*21.0	2
SH-E300831	115	2*15/47	2*26.2	2
SH-E300832	115	2*18/39	2*30.5	2
SH-E300833	115	2*24/29	2*41.5	2
SH-E300834	2*115	6/233	11.0	3
SH-E300835	2*115	9/155	16.0	3
SH-E300836	2*115	12/116	21.0	3
SH-E300837	2*115	15/93	26.2	3
SH-E300838	2*115	18/77	30.5	3
SH-E300839	2*115	24/58	41.5	3
SH-E300840	2*115	2*6/116	2*11.0	4
SH-E300841	2*115	2*9/77	2*16.0	4
SH-E300842	2*115	2*12/58	2*21.0	4
SH-E300843	2*115	2*15/47	2*26.2	4
SH-E300844	2*115	2*18/39	2*30.5	4
SH-E300845	2*115	2*24/29	2*41.5	4

1W EI30/10.5 SH-E3010 Series Encapsulation Transformer

FEATURES

Vacuum filling.
Two compartments bobbin.
Self-extinguishing plastics UL94V-0.
Degree of protection IP67.

Bulk packaging is standard.
Custom design available.

Medical equipments.
Industrial equipments.
Industrial controls.
Test equipments.
Industrial computers.
Avionics & telecom.

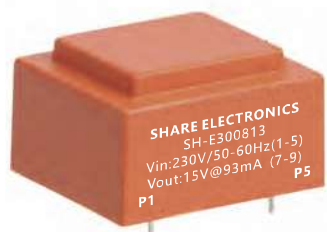


Additional information:

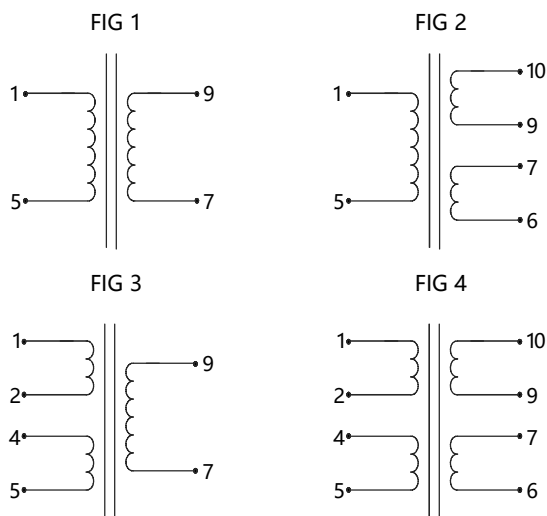
We reserve the right to make technical changes or modify the contents of this document without prior notice.

SHARE Ltd. Does not accept any responsibility what so ever for potential errors or possible lack of information in this document.

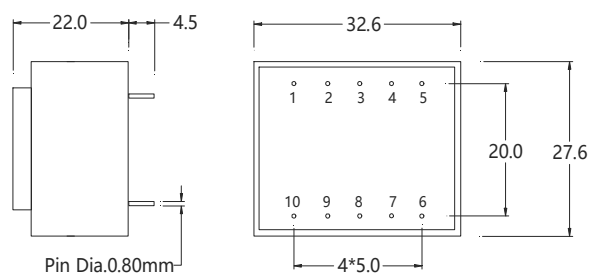
We can offer that even custom-made transformers will be covered by approvals from UL, CSA, KEMA, etc., but we will be happy to assist you in implementing them. New approvals may be required.



TECHNICAL INFORMATION



PHYSICAL CHARACTERISTICS(unit:mm)



ELECTRICAL CHARACTERISTICS AT 25°C

Part Number	Primary (V)	Secondary (V/mA)	No-load voltage(V)	Fig.
SH-E301049	230	6/167	8.5	1
SH-E301050	230	9/111	12.45	1
SH-E301051	230	12/83	16.3	1
SH-E301052	230	15/66	20.2	1
SH-E301053	230	18/56	24.2	1
SH-E301054	230	24/42	32.2	1
SH-E301055	230	2*6/83	2*8.3	2
SH-E301056	230	2*9/56	2*11.9	2
SH-E301057	230	2*12/42	2*16.2	2
SH-E301058	230	2*15/33	2*20.4	2
SH-E301059	230	2*18/28	2*24.2	2
SH-E301060	230	2*24/21	2*32.1	2
SH-E301061	115	6/167	8.5	1
SH-E301062	115	9/111	12.45	1
SH-E301063	115	12/83	16.3	1
SH-E301064	115	15/66	20.2	1
SH-E301065	115	18/56	24.2	1
SH-E301066	115	24/42	32.2	1
SH-E301067	115	2*6/83	2*8.3	2
SH-E301068	115	2*9/56	2*11.9	2
SH-E301069	115	2*12/42	2*16.2	2
SH-E301070	115	2*15/33	2*20.4	2
SH-E301071	115	2*18/28	2*24.2	2
SH-E301072	115	2*24/21	2*32.1	2
SH-E301073	2*115	6/167	8.5	3
SH-E301074	2*115	9/111	12.45	3
SH-E301075	2*115	12/83	16.3	3
SH-E301076	2*115	15/66	20.2	3
SH-E301077	2*115	18/56	24.2	3
SH-E301078	2*115	24/42	32.2	3
SH-E301079	2*115	2*6/83	2*8.3	4
SH-E301080	2*115	2*9/56	2*11.9	4
SH-E301081	2*115	2*12/42	2*16.2	4
SH-E301082	2*115	2*15/33	2*20.4	4
SH-E301083	2*115	2*18/28	2*24.2	4
SH-E301084	2*115	2*24/21	2*32.1	4

1.5W EI30/12.5 SH-E3012 Series Encapsulation Transformer

FEATURES

Vacuum filling.
Two compartments bobbin.
Self-extinguishing plastics UL94V-0.
Degree of protection IP67.



Additional information:

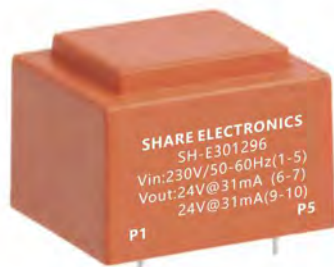
We reserve the right to make technical changes or modify the contents of this document without prior notice.

SHARE Ltd. Does not accept any responsibility what so ever for potential errors or possible lack of information in this document.

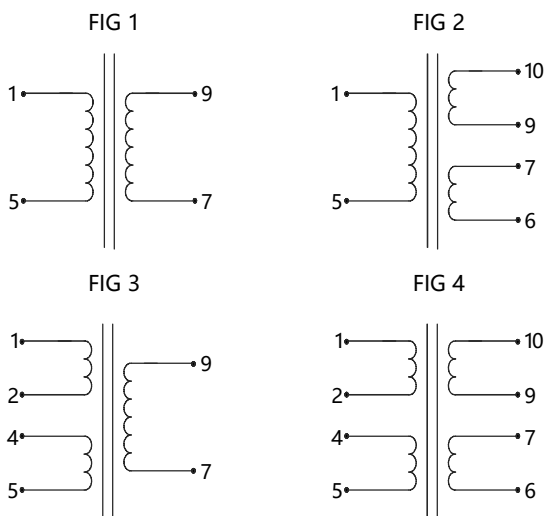
We can offer that even custom-made transformers will be covered by approvals from UL, CSA, KEMA, etc., but we will be happy to assist you in implementing them. New approvals may be required.

Bulk packaging is standard.
Custom design available.

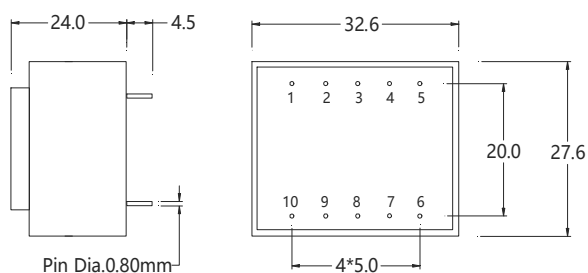
Medical equipments.
Industrial equipments.
Industrial controls.
Test equipments.
Industrial computers.
Avionics & telecom.



TECHNICAL INFORMATION



PHYSICAL CHARACTERISTICS(unit:mm)



ELECTRICAL CHARACTERISTICS AT 25°C

Part Number	Primary (V)	Secondary (V/mA)	No-load voltage(V)	Fig.
SH-E301285	230	6/250	9.0	1
SH-E301286	230	9/167	14.5	1
SH-E301287	230	12/125	19.3	1
SH-E301288	230	15/100	24.7	1
SH-E301289	230	18/83	29.5	1
SH-E301290	230	24/62	35.8	1
SH-E301291	230	2*6/125	2*9.2	2
SH-E301292	230	2*9/83	2*14.5	2
SH-E301293	230	2*12/62	2*19.3	2
SH-E301294	230	2*15/50	2*24.7	2
SH-E301295	230	2*18/41	2*29.4	2
SH-E301296	230	2*24/31	2*35.8	2
SH-E301297	115	6/250	9.0	1
SH-E301298	115	9/167	14.5	1
SH-E301299	115	12/125	19.3	1
SH-E3012100	115	15/100	24.7	1
SH-E3012101	115	18/83	29.5	1
SH-E3012102	115	24/62	35.8	1
SH-E3012103	115	2*6/125	2*9.2	2
SH-E3012104	115	2*9/83	2*14.5	2
SH-E3012105	115	2*12/62	2*19.3	2
SH-E3012106	115	2*15/50	2*24.7	2
SH-E3012107	115	2*18/41	2*29.4	2
SH-E3012108	115	2*24/31	2*35.8	2
SH-E3012109	2*115	6/250	9.0	3
SH-E3012110	2*115	9/167	14.5	3
SH-E3012111	2*115	12/125	16.7	3
SH-E3012112	2*115	15/100	24.7	3
SH-E3012113	2*115	18/83	29.5	3
SH-E3012114	2*115	24/62	35.8	3
SH-E3012115	2*115	2*6/125	2*9.2	4
SH-E3012116	2*115	2*9/83	2*14.5	4
SH-E3012117	2*115	2*12/62	2*19.3	4
SH-E3012118	2*115	2*15/50	2*24.7	4
SH-E3012119	2*115	2*18/41	2*29.4	4
SH-E3012120	2*115	2*24/31	2*35.8	4

2W EI30/15.5 SH-E3015 Series Encapsulation Transformer

FEATURES

Vacuum filling.
Two compartments bobbin.
Self-extinguishing plastics UL94V-0.
Degree of protection IP67.

Bulk packaging is standard.
Custom design available.

Medical equipments.
Industrial equipments.
Industrial controls.
Test equipments.
Industrial computers.
Avionics & telecom.

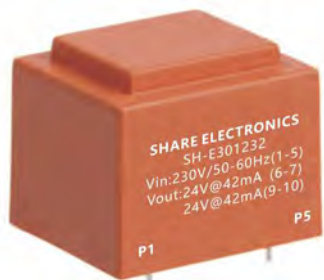


Additional information:

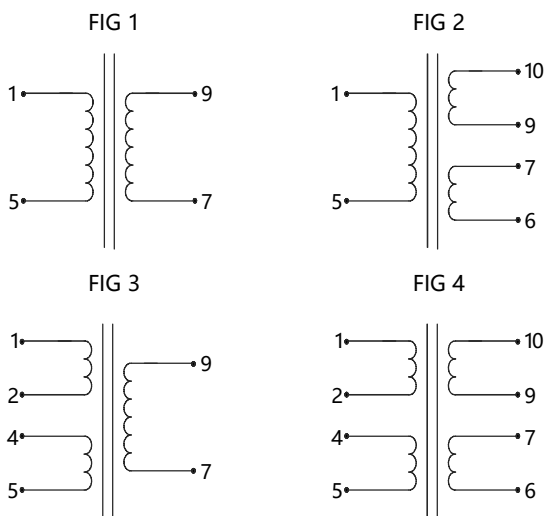
We reserve the right to make technical changes or modify the contents of this document without prior notice.

SHARE Ltd. Does not accept any responsibility what so ever for potential errors or possible lack of information in this document.

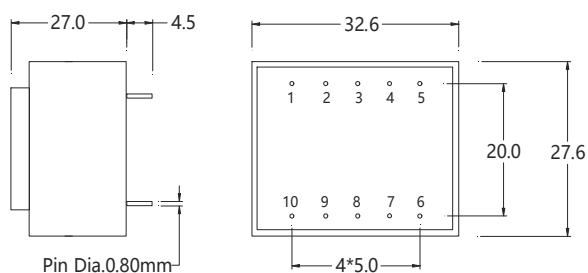
We can offer that even custom-made transformers will be covered by approvals from UL, CSA, KEMA, etc., but we will be happy to assist you in implementing them. New approvals may be required.



TECHNICAL INFORMATION



PHYSICAL CHARACTERISTICS(unit:mm)



ELECTRICAL CHARACTERISTICS AT 25°C

Part Number	Primary (V)	Secondary (V/mA)	No-load voltage(V)	Fig.
SH-E301521	230	6/333	10.4	1
SH-E301522	230	9/222	14.6	1
SH-E301523	230	12/167	20.0	1
SH-E301524	230	15/133	25.8	1
SH-E301525	230	18/111	29.6	1
SH-E301526	230	24/83	37.2	1
SH-E301527	230	2*6/167	2*10.4	2
SH-E301528	230	2*9/111	2*14.6	2
SH-E301529	230	2*12/83	2*20.0	2
SH-E301530	230	2*15/66	2*25.8	2
SH-E301531	230	2*18/55	2*29.6	2
SH-E301532	230	2*24/42	2*37.2	2
SH-E301533	115	6/333	10.4	1
SH-E301534	115	9/222	14.6	1
SH-E301535	115	12/167	20.0	1
SH-E301536	115	15/133	25.8	1
SH-E301537	115	18/111	29.6	1
SH-E301538	115	24/83	37.2	1
SH-E301539	115	2*6/167	2*10.4	2
SH-E301540	115	2*9/111	2*14.6	2
SH-E301541	115	2*12/83	2*20.0	2
SH-E301542	115	2*15/66	2*25.8	2
SH-E301543	115	2*18/55	2*29.6	2
SH-E301544	115	2*24/42	2*37.2	2
SH-E301545	2*115	6/333	10.4	3
SH-E301546	2*115	9/222	14.6	3
SH-E301547	2*115	12/167	20.0	3
SH-E301548	2*115	15/133	25.8	3
SH-E301549	2*115	18/111	29.6	3
SH-E301550	2*115	24/83	37.2	3
SH-E301551	2*115	2*6/167	2*10.4	4
SH-E301552	2*115	2*9/111	2*14.6	4
SH-E301553	2*115	2*12/83	2*20.0	4
SH-E301554	2*115	2*15/66	2*25.8	4
SH-E301555	2*115	2*18/55	2*29.6	4
SH-E301556	2*115	2*24/42	2*37.2	4

2.3W E130/18 SH-E3018 Series Encapsulation Transformer

FEATURES

Vacuum filling.
Two compartments bobbin.
Self-extinguishing plastics UL94V-0.
Degree of protection IP67.



Bulk packaging is standard.
Custom design available.

Medical equipments.
Industrial equipments.
Industrial controls.
Test equipments.
Industrial computers.
Avionics & telecom.

Additional information:

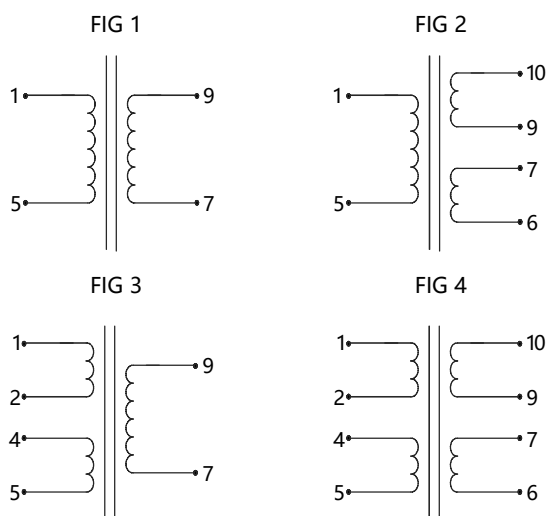
We reserve the right to make technical changes or modify the contents of this document without prior notice.

SHARE Ltd. Does not accept any responsibility what so ever for potential errors or possible lack of information in this document.

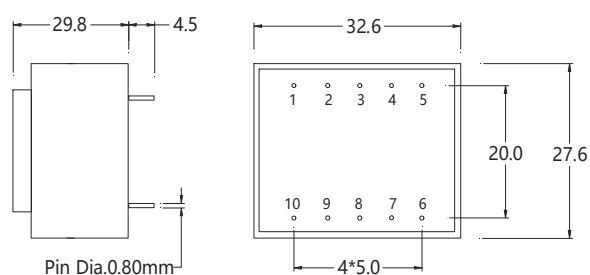
We can offer that even custom-made transformers will be covered by approvals from UL, CSA, KEMA, etc., but we will be happy to assist you in implementing them. New approvals may be required.



TECHNICAL INFORMATION



PHYSICAL CHARACTERISTICS(unit:mm)



ELECTRICAL CHARACTERISTICS AT 25°C

Part Number	Primary (V)	Secondary (V/mA)	No-load voltage(V)	Fig.
SH-E301857	230	6/384	10.0	1
SH-E301858	230	9/256	13.8	1
SH-E301859	230	12/192	18.6	1
SH-E301860	230	15/154	23.8	1
SH-E301861	230	18/128	27.8	1
SH-E301862	230	24/96	34.7	1
SH-E301863	230	2*6/192	2*10.0	2
SH-E301864	230	2*9/128	2*14.0	2
SH-E301865	230	2*12/96	2*17.5	2
SH-E301866	230	2*15/77	2*24.4	2
SH-E301867	230	2*18/64	2*29.3	2
SH-E301868	230	2*24/48	2*35.8	2
SH-E301869	115	6/384	10.0	1
SH-E301870	115	9/256	13.8	1
SH-E301871	115	12/192	18.6	1
SH-E301872	115	15/154	23.8	1
SH-E301873	115	18/128	27.8	1
SH-E301874	115	24/96	34.7	1
SH-E301875	115	2*6/192	2*10.0	2
SH-E301876	115	2*9/128	2*14.0	2
SH-E301877	115	2*12/96	2*17.5	2
SH-E301878	115	2*15/77	2*24.4	2
SH-E301879	115	2*18/64	2*29.3	2
SH-E301880	115	2*24/48	2*35.8	2
SH-E301881	2*115	6/384	10.0	3
SH-E301882	2*115	9/256	13.8	3
SH-E301883	2*115	12/192	18.6	3
SH-E301884	2*115	15/154	23.8	3
SH-E301885	2*115	18/128	27.8	3
SH-E301886	2*115	24/96	34.7	3
SH-E301887	2*115	2*6/192	2*10.0	4
SH-E301888	2*115	2*9/128	2*14.0	4
SH-E301889	2*115	2*12/96	2*17.5	4
SH-E301890	2*115	2*15/77	2*24.4	4
SH-E301891	2*115	2*18/64	2*29.3	4
SH-E301892	2*115	2*24/48	2*35.8	4

2.8W E130/23 SH-E3023 Series Encapsulation Transformer

FEATURES

Vacuum filling.
Two compartments bobbin.
Self-extinguishing plastics UL94V-0.
Degree of protection IP67.

Bulk packaging is standard.
Custom design available.

Medical equipments.
Industrial equipments.
Industrial controls.
Test equipments.
Industrial computers.
Avionics & telecom.



Additional information:

We reserve the right to make technical changes or modify the contents of this document without prior notice.

SHARE Ltd. Does not accept any responsibility what so ever for potential errors or possible lack of information in this document.

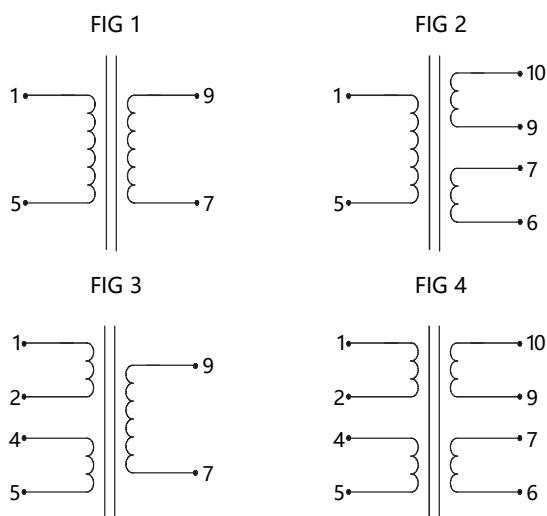
We can offer that even custom-made transformers will be covered by approvals from UL, CSA, KEMA, etc., but we will be happy to assist you in implementing them. New approvals may be required.



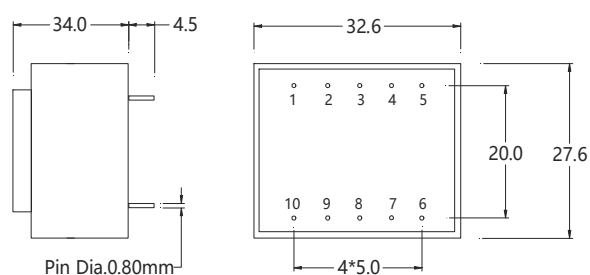
ELECTRICAL CHARACTERISTICS AT 25°C

Part Number	Primary (V)	Secondary (V/mA)	No-load voltage(V)	Fig.
SH-E302301	230	6/466	10.7	1
SH-E302302	230	9/311	14.8	1
SH-E302303	230	12/233	20.8	1
SH-E302304	230	15/186	24.0	1
SH-E302305	230	18/155	29.9	1
SH-E302306	230	24/116	38.8	1
SH-E302307	230	2*6/233	2*10.7	2
SH-E302308	230	2*9/155	2*16.0	2
SH-E302309	230	2*12/116	2*20.4	2
SH-E302310	230	2*15/93	2*25.0	2
SH-E302311	230	2*18/77	2*30.5	2
SH-E302312	230	2*24/58	2*38.7	2
SH-E302313	115	6/466	10.7	1
SH-E302314	115	9/311	14.8	1
SH-E302315	115	12/233	20.8	1
SH-E302316	115	15/186	24.0	1
SH-E302317	115	18/155	29.9	1
SH-E302318	115	24/116	38.8	1
SH-E302319	115	2*6/233	2*10.7	2
SH-E302320	115	2*9/155	2*16.0	2
SH-E302321	115	2*12/116	2*20.4	2
SH-E302322	115	2*15/93	2*25.0	2
SH-E302323	115	2*18/77	2*30.5	2
SH-E302324	115	2*24/58	2*38.7	2
SH-E302325	2*115	6/466	10.7	3
SH-E302326	2*115	9/311	14.8	3
SH-E302327	2*115	12/233	20.8	3
SH-E302328	2*115	15/186	24.0	3
SH-E302329	2*115	18/155	29.9	3
SH-E302330	2*115	24/116	38.8	3
SH-E302331	2*115	2*6/233	2*10.7	4
SH-E302332	2*115	2*9/155	2*16.0	4
SH-E302333	2*115	2*12/116	2*20.4	4
SH-E302334	2*115	2*15/93	2*25.0	4
SH-E302335	2*115	2*18/77	2*30.5	4
SH-E302336	2*115	2*24/58	2*38.7	4

TECHNICAL INFORMATION



PHYSICAL CHARACTERISTICS(unit:mm)



3.2W EI38/13.6 SH-E3813 Series Encapsulation Transformer

FEATURES

Vacuum filling.
Two compartments bobbin.
Self-extinguishing plastics UL94V-0.
Degree of protection IP67.



Bulk packaging is standard.
Custom design available.

Medical equipments.
Industrial equipments.
Industrial controls.
Test equipments.
Industrial computers.
Avionics & telecom.

Additional information:

We reserve the right to make technical changes or modify the contents of this document without prior notice.

SHARE Ltd. Does not accept any responsibility what so ever for potential errors or possible lack of information in this document.

We can offer that even custom-made transformers will be covered by approvals from UL, CSA, KEMA, etc., but we will be happy to assist you in implementing them. New approvals may be required.



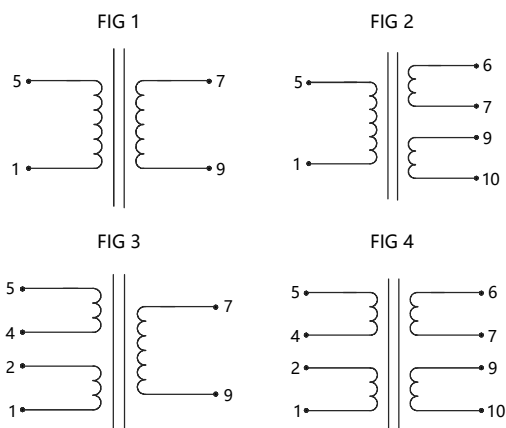
1

LINER POWER

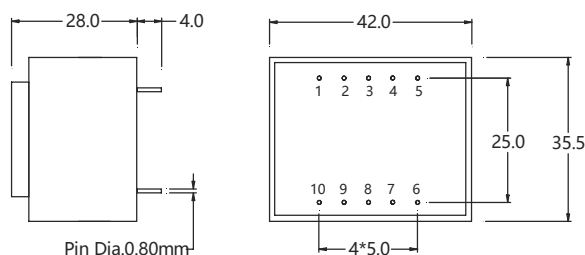
ELECTRICAL CHARACTERISTICS AT 25°C

Part Number	Primary (V)	Secondary (V/mA)	No-load voltage(V)	Fig.
SH-E381393	230	6/533	8.0	1
SH-E381394	230	9/356	12.0	1
SH-E381395	230	12/267	16.0	1
SH-E381396	230	15/214	20.0	1
SH-E381397	230	18/178	24.1	1
SH-E381398	230	24/134	32.1	1
SH-E381399	230	2*6/267	2*8.0	2
SH-E381300	230	2*9/178	2*12.0	2
SH-E381301	230	2*12/134	2*16.0	2
SH-E381302	230	2*15/107	2*20.0	2
SH-E381303	230	2*18/89	2*24.1	2
SH-E381304	230	2*24/67	2*32.1	2
SH-E381305	115	6/533	8.0	1
SH-E381306	115	9/356	12.0	1
SH-E381307	115	12/267	16.0	1
SH-E381308	115	15/214	20.0	1
SH-E381309	115	18/178	24.1	1
SH-E381310	115	24/134	32.1	1
SH-E381311	115	2*6/267	2*8.0	2
SH-E381312	115	2*9/178	2*12.0	2
SH-E381313	115	2*12/134	2*16.0	2
SH-E381314	115	2*15/107	2*20.0	2
SH-E381315	115	2*18/89	2*24.1	2
SH-E381316	115	2*24/67	2*32.1	2
SH-E381317	2*115	6/533	8.0	3
SH-E381318	2*115	9/356	12.0	3
SH-E381319	2*115	12/267	16.0	3
SH-E381320	2*115	15/214	20.0	3
SH-E381321	2*115	18/178	24.1	3
SH-E381322	2*115	24/134	32.1	3
SH-E381323	2*115	2*6/267	2*8.0	4
SH-E381324	2*115	2*9/178	2*12.0	4
SH-E381325	2*115	2*12/134	2*16.0	4
SH-E381326	2*115	2*15/107	2*20.0	4
SH-E381327	2*115	2*18/89	2*24.1	4
SH-E381328	2*115	2*24/67	2*32.1	4

TECHNICAL INFORMATION



PHYSICAL CHARACTERISTICS(unit:mm)



5W EI42/14.8 SH-E4214 Series Encapsulation Transformer

FEATURES

Vacuum filling.
Two compartments bobbin.
Self-extinguishing plastics UL94V-0.
Degree of protection IP67.



Additional information:

We reserve the right to make technical changes or modify the contents of this document without prior notice.

SHARE Ltd. Does not accept any responsibility what so ever for potential errors or possible lack of information in this document.

We can offer that even custom-made transformers will be covered by approvals from UL, CSA, KEMA, etc., but we will be happy to assist you in implementing them. New approvals may be required.

Bulk packaging is standard.
Custom design available.

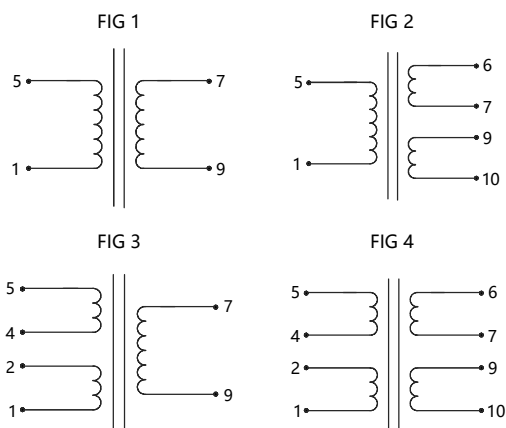
Medical equipments.
Industrial equipments.
Industrial controls.
Test equipments.
Industrial computers.
Avionics & telecom.



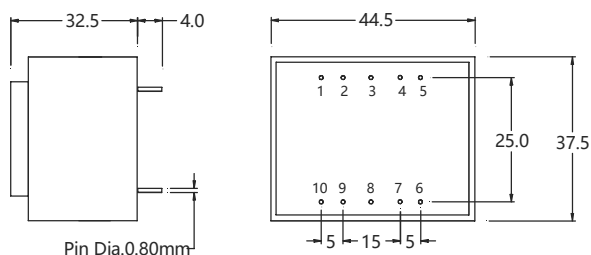
ELECTRICAL CHARACTERISTICS AT 25°C

Part Number	Primary (V)	Secondary (V/mA)	No-load voltage(V)	Fig.
SH-E421429	230	6/833	8.1	1
SH-E421430	230	9/556	12.0	1
SH-E421431	230	12/417	15.5	1
SH-E421432	230	15/334	19.2	1
SH-E421433	230	18/278	23.0	1
SH-E421434	230	24/208	30.5	1
SH-E421435	230	2*6/417	2*7.7	2
SH-E421436	230	2*9/278	2*11.6	2
SH-E421437	230	2*12/208	2*15.5	2
SH-E421438	230	2*15/167	2*19.4	2
SH-E421439	230	2*18/139	2*23.1	2
SH-E421440	230	2*24/104	2*30.8	2
SH-E421441	115	6/833	8.1	1
SH-E421442	115	9/556	12.0	1
SH-E421443	115	12/417	15.5	1
SH-E421444	115	15/334	19.2	1
SH-E421445	115	18/278	23.0	1
SH-E421446	115	24/208	30.5	1
SH-E421447	115	2*6/417	2*7.7	2
SH-E421448	115	2*9/278	2*11.6	2
SH-E421449	115	2*12/208	2*15.5	2
SH-E421450	115	2*15/167	2*19.4	2
SH-E421451	115	2*18/139	2*23.1	2
SH-E421452	115	2*24/104	2*30.8	2
SH-E421453	2*115	6/833	8.1	3
SH-E421454	2*115	9/556	12.0	3
SH-E421455	2*115	12/417	15.5	3
SH-E421456	2*115	15/334	19.2	3
SH-E421457	2*115	18/278	23.0	3
SH-E421458	2*115	24/208	30.5	3
SH-E421459	2*115	2*6/417	2*7.7	4
SH-E421460	2*115	2*9/278	2*11.6	4
SH-E421461	2*115	2*12/208	2*15.2	4
SH-E421462	2*115	2*15/167	2*19.4	4
SH-E421463	2*115	2*18/139	2*23.1	4
SH-E421464	2*115	2*24/104	2*30.8	4

TECHNICAL INFORMATION



PHYSICAL CHARACTERISTICS(unit:mm)



10W E148/16.8 SH-E4816 Series Encapsulation Transformer

FEATURES

Vacuum filling.
Two compartments bobbin.
Self-extinguishing plastics UL94V-0.
Degree of protection IP67.



Additional information:

We reserve the right to make technical changes or modify the contents of this document without prior notice.

SHARE Ltd. Does not accept any responsibility what so ever for potential errors or possible lack of information in this document.

We can offer that even custom-made transformers will be covered by approvals from UL, CSA, KEMA, etc., but we will be happy to assist you in implementing them. New approvals may be required.

Bulk packaging is standard.
Custom design available.

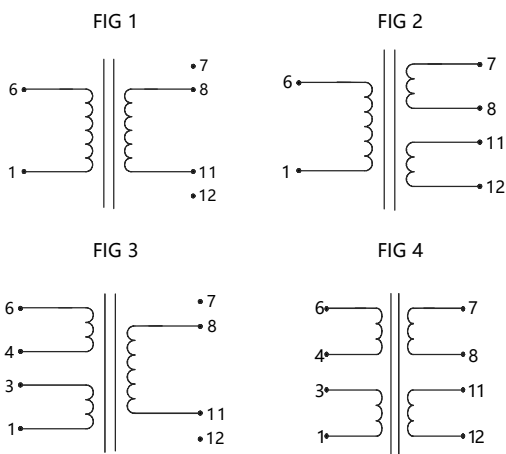
Medical equipments.
Industrial equipments.
Industrial controls.
Test equipments.
Industrial computers.
Avionics & telecom.



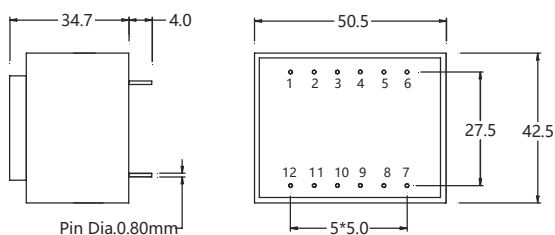
ELECTRICAL CHARACTERISTICS AT 25°C

Part Number	Primary (V)	Secondary (V/mA)	No-load voltage(V)	Fig.
SH-E481665	230	6/1666	7.9	1
SH-E481666	230	9/1111	12.0	1
SH-E481667	230	12/834	14.7	1
SH-E481668	230	15/666	19.2	1
SH-E481669	230	18/555	22.9	1
SH-E481670	230	24/416	30.6	1
SH-E481671	230	2*6/834	2*8.1	2
SH-E481672	230	2*9/555	2*11.6	2
SH-E481673	230	2*12/416	2*15.7	2
SH-E481674	230	2*15/333	2*19.5	2
SH-E481675	230	2*18/277	2*23.5	2
SH-E481676	230	2*24/208	2*30.0	2
SH-E481677	115	6/1666	7.9	1
SH-E481678	115	9/1111	12.0	1
SH-E481679	115	12/834	14.7	1
SH-E481680	115	15/666	19.2	1
SH-E481681	115	18/555	22.9	1
SH-E481682	115	24/416	30.6	1
SH-E481683	115	2*6/834	2*8.1	2
SH-E481684	115	2*9/555	2*11.6	2
SH-E481685	115	2*12/416	2*15.7	2
SH-E481686	115	2*15/333	2*19.5	2
SH-E481687	115	2*18/277	2*23.5	2
SH-E481688	115	2*24/208	2*30.0	2
SH-E481689	2*115	6/1666	7.9	3
SH-E481690	2*115	9/1111	12.0	3
SH-E481691	2*115	12/834	14.7	3
SH-E481692	2*115	15/666	19.2	3
SH-E481693	2*115	18/555	22.9	3
SH-E481694	2*115	24/416	30.6	3
SH-E481695	2*115	2*6/834	2*8.1	4
SH-E481696	2*115	2*9/555	2*11.6	4
SH-E481697	2*115	2*12/416	2*15.7	4
SH-E481699	2*115	2*15/333	2*19.5	4
SH-E4816100	2*115	2*18/277	2*23.5	4
SH-E4816101	2*115	2*24/208	2*30.0	4

TECHNICAL INFORMATION



PHYSICAL CHARACTERISTICS(unit:mm)



16W E154/18.8 SH-E5418 Series Encapsulation Transformer

FEATURES

Vacuum filling.
Two compartments bobbin.
Self-extinguishing plastics UL94V-0.
Degree of protection IP67.



Additional information:

We reserve the right to make technical changes or modify the contents of this document without prior notice.

SHARE Ltd. Does not accept any responsibility what so ever for potential errors or possible lack of information in this document.

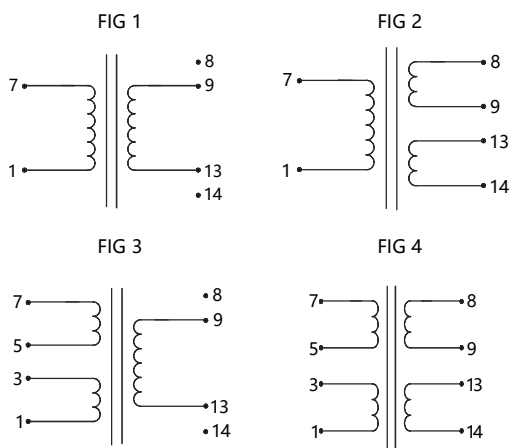
We can offer that even custom-made transformers will be covered by approvals from UL, CSA, KEMA, etc., but we will be happy to assist you in implementing them. New approvals may be required.

Bulk packaging is standard.
Custom design available.

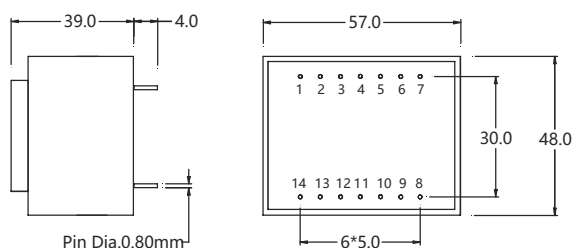
Medical equipments.
Industrial equipments.
Industrial controls.
Test equipments.
Industrial computers.
Avionics & telecom.



TECHNICAL INFORMATION



PHYSICAL CHARACTERISTICS(unit:mm)



ELECTRICAL CHARACTERISTICS AT 25°C

Part Number	Primary (V)	Secondary (V/mA)	No-load voltage(V)	Fig.
SH-E541801	230	6/2666	7.6	1
SH-E541802	230	9/1777	11.3	1
SH-E541803	230	12/1333	15.0	1
SH-E541804	230	15/1066	18.4	1
SH-E541805	230	18/888	22.4	1
SH-E541806	230	24/666	29.6	1
SH-E541807	230	2*6/1333	2*7.6	2
SH-E541808	230	2*9/888	2*11.3	2
SH-E541809	230	2*12/666	2*15.0	2
SH-E541810	230	2*15/533	2*18.4	2
SH-E541811	230	2*18/444	2*22.4	2
SH-E541812	230	2*24/333	2*29.0	2
SH-E541813	115	6/2666	7.6	1
SH-E541814	115	9/1777	11.3	1
SH-E541815	115	12/1333	15.0	1
SH-E541816	115	15/1066	18.4	1
SH-E541817	115	18/888	22.4	1
SH-E541818	115	24/666	29.6	1
SH-E541819	115	2*6/1333	2*7.6	2
SH-E541820	115	2*9/888	2*11.3	2
SH-E541821	115	2*12/666	2*15.0	2
SH-E541822	115	2*15/533	2*18.4	2
SH-E541823	115	2*18/444	2*22.4	2
SH-E541824	115	2*24/333	2*29.0	2
SH-E541825	2*115	6/2666	7.6	3
SH-E541826	2*115	9/1777	11.3	3
SH-E541827	2*115	12/1333	15.0	3
SH-E541828	2*115	15/1066	18.4	3
SH-E541829	2*115	18/888	22.4	3
SH-E541830	2*115	24/666	29.6	3
SH-E541831	2*115	2*6/1333	2*7.6	4
SH-E541832	2*115	2*9/888	2*11.3	4
SH-E541833	2*115	2*12/666	2*15.0	4
SH-E541834	2*115	2*15/533	2*18.4	4
SH-E541835	2*115	2*18/444	2*22.4	4
SH-E541836	2*115	2*24/333	2*29.0	4

36W EI66/23 SH-E6623H Series Encapsulation Transformer



FEATURES

Frequency 50/60Hz
Potted under vacuum
Split-bobbin
Temperature class @ 40°C/B



Bulk packaging is standard.
Custom design available.

Medical equipments.
Industrial equipments.
Industrial controls.
Test equipments.
Industrial computers.
Avionics & telecom.

Additional information:

We reserve the right to make technical changes or modify the contents of this document without prior notice.

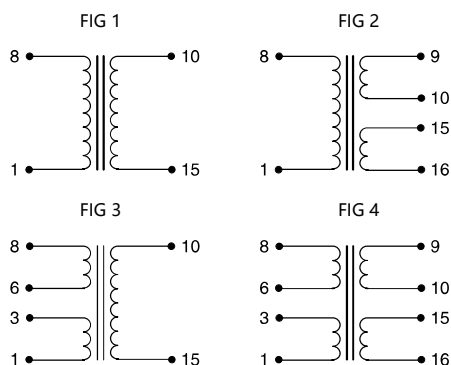
SHARE Ltd. Does not accept any responsibility what so ever for potential errors or possible lack of information in this document.

We can offer that even custom-made transformers will be covered by approvals from UL, CSA, KEMA, etc., but we will be happy to assist you in implementing them. New approvals may be required.

1

LINER POWER

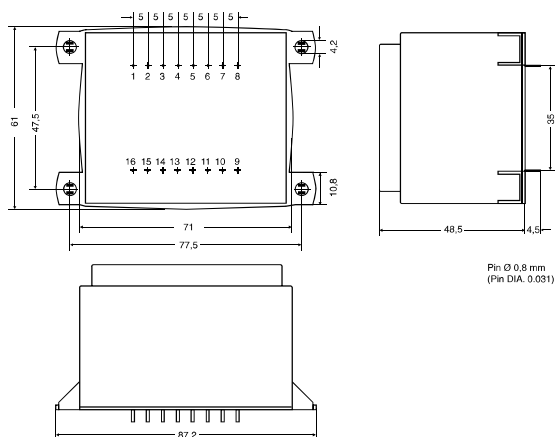
TECHNICAL INFORMATION



ELECTRICAL CHARACTERISTICS AT 25°C

Part Number	Primary (V)	Secondary (V/mA)	No-load voltage(V)	Fig.
SH-E662301H	230	6/6000	6.9	1
SH-E662302H	230	9/4000	10.3	1
SH-E662303H	230	12/3000	13.6	1
SH-E662304H	230	15/2400	17	1
SH-E662305H	230	18/2000	20.5	1
SH-E662306H	230	24/1500	27	1
SH-E662307H	230	2*6/3000	2*6.9	2
SH-E662308H	230	2*9/2000	2*10.5	2
SH-E662309H	230	2*12/1500	2*13.6	2
SH-E662310H	230	2*15/1200	2*17.3	2
SH-E662311H	2*115	6/6000	6.9	3
SH-E662312H	2*115	9/4000	10.3	3
SH-E662313H	2*115	12/3000	13.6	3
SH-E662314H	2*115	15/2400	17	3
SH-E662315H	2*115	18/2000	20.5	3
SH-E662316H	2*115	24/1500	27	3
SH-E662317H	2*115	2*6/3000	2*6.9	4
SH-E662318H	2*115	2*9/2000	2*10.5	4
SH-E662319H	2*115	2*12/1500	2*13.6	4
SH-E662320H	2*115	2*15/1200	2*17.3	4

PHYSICAL CHARACTERISTICS(unit:mm)



25W EI60/25.5 SH-E6025H Series Encapsulation Transformer

FEATURES

Frequency 50/60Hz
Potted under vacuum
Split-bobbin
Temperature class @ 40°C/B



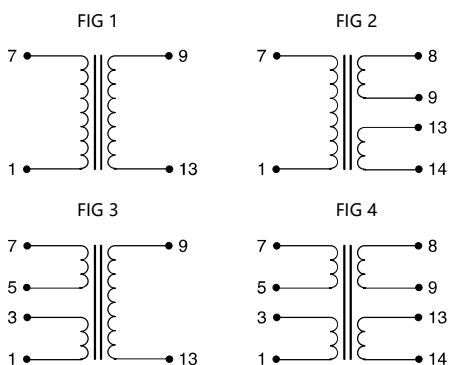
Bulk packaging is standard.
Custom design available.

Medical equipments.
Industrial equipments.
Industrial controls.
Test equipments.
Industrial computers.
Avionics & telecom.

Additional information:
We reserve the right to make technical changes or modify the contents of this document without prior notice.
SHARE Ltd. Does not accept any responsibility what so ever for potential errors or possible lack of information in this document.
We can offer that even custom-made transformers will be covered by approvals from UL, CSA, KEMA, etc., but we will be happy to assist you in implementing them.
New approvals may be required.



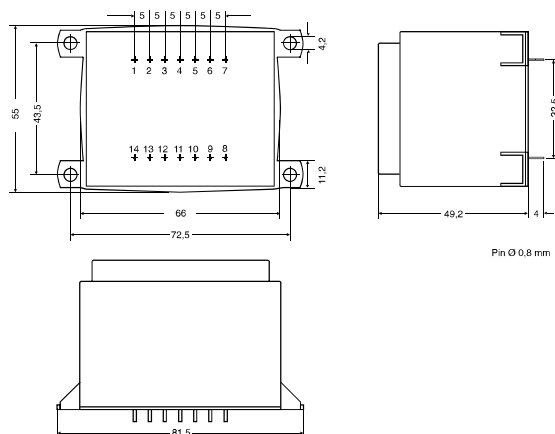
TECHNICAL INFORMATION



ELECTRICAL CHARACTERISTICS AT 25°C

Part Number	Primary (V)	Secondary (V/mA)	No-load voltage(V)	Fig.
SH-E602501H	230	6/4170	6.9	1
SH-E602502H	230	9/2780	10.3	1
SH-E602503H	230	12/2080	13.6	1
SH-E602504H	230	15/1670	17	1
SH-E602505H	230	18/1390	20.5	1
SH-E602506H	230	24/1040	27	1
SH-E602507H	230	2*6/2080	2*6.9	2
SH-E602508H	230	2*9/1390	2*10.5	2
SH-E602509H	230	2*12/1040	2*13.6	2
SH-E602510H	230	2*15/830	2*17.3	2
SH-E602511H	2*115	6/4170	6.9	3
SH-E602512H	2*115	9/2780	10.3	3
SH-E602513H	2*115	12/2080	13.6	3
SH-E602514H	2*115	15/1670	17	3
SH-E602515H	2*115	18/1390	20.5	3
SH-E602516H	2*115	24/1040	27	3
SH-E602517H	2*115	2*6/2080	2*6.9	4
SH-E602518H	2*115	2*9/1390	2*10.5	4
SH-E602519H	2*115	2*12/1040	2*13.6	4
SH-E602520H	2*115	2*15/830	2*17.3	4

PHYSICAL CHARACTERISTICS(unit:mm)



50W EI66/34.7 SH-E6634H Single 230V Series Encapsulation Transformer

FEATURES

Frequency 50/60Hz
 Potted under vacuum
 Split-bobbin
 Temperature class @ 40°C/B



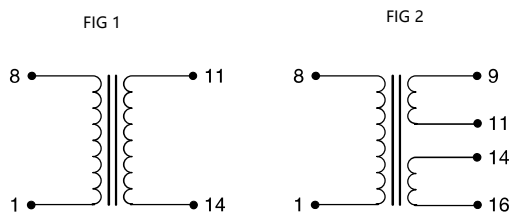
Bulk packaging is standard.
 Custom design available.

Medical equipments.
 Industrial equipments.
 Industrial controls.
 Test equipments.
 Industrial computers.
 Avionics & telecom.

Additional information:
 We reserve the right to make technical changes or modify the contents of this document without prior notice.
 SHARE Ltd. Does not accept any responsibility what so ever for potential errors or possible lack of information in this document.
 We can offer that even custom-made transformers will be covered by approvals from UL, CSA, KEMA, etc., but we will be happy to assist you in implementing them.
 New approvals may be required.



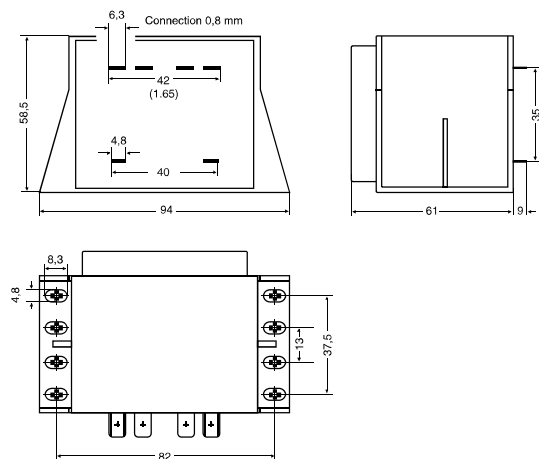
TECHNICAL INFORMATION



ELECTRICAL CHARACTERISTICS AT 25°C

Part Number	Primary (V)	Secondary (V/mA)	No-load voltage(V)	Fig.
SH-E663401H	230	6/8333	7.2	1
SH-E663402H	230	9/5560	10.4	1
SH-E663403H	230	12/4170	13.4	1
SH-E663404H	230	15/3330	17	1
SH-E663405H	230	18/2780	20.5	1
SH-E663406H	230	24/2080	27.1	1
SH-E663407H	230	2*6/4170	2*7	2
SH-E663408H	230	2*9/2780	2*10.4	2
SH-E663409H	230	2*12/2080	2*13.6	2
SH-E663410H	230	2*15/1670	2*17.6	2

PHYSICAL CHARACTERISTICS(unit:mm)



50W EI66/34.7 SH-E6634H Dual 115V Series Encapsulation Transformer

1

LINER POWER



FEATURES

Frequency 50/60Hz
 Potted under vacuum
 Split-bobbin
 Temperature class @ 40°C/B



Bulk packaging is standard.
 Custom design available.

Medical equipments.
 Industrial equipments.
 Industrial controls.
 Test equipments.
 Industrial computers.
 Avionics & telecom.

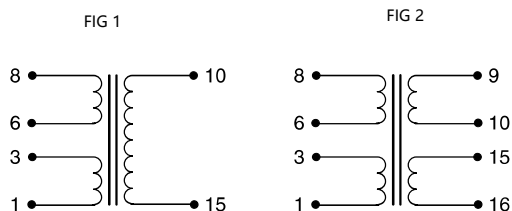
Additional information:

We reserve the right to make technical changes or modify the contents of this document without prior notice.

SHARE Ltd. Does not accept any responsibility what so ever for potential errors or possible lack of information in this document.

We can offer that even custom-made transformers will be covered by approvals from UL, CSA, KEMA, etc., but we will be happy to assist you in implementing them. New approvals may be required.

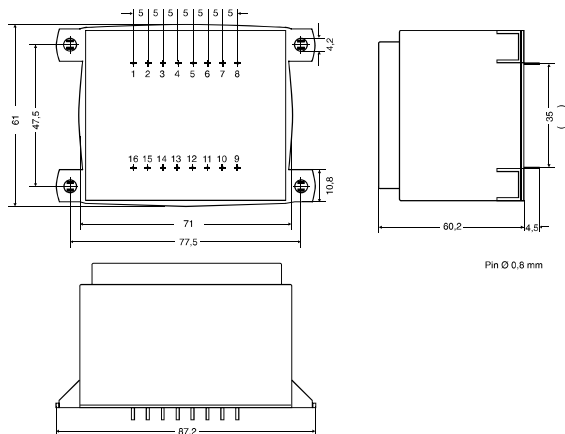
TECHNICAL INFORMATION



ELECTRICAL CHARACTERISTICS AT 25°C

Part Number	Primary (V)	Secondary (V/mA)	No-load voltage(V)	Fig.
SH-E663411H	2*115	6/8333	7.2	1
SH-E663412H	2*115	9/5560	10.4	1
SH-E663413H	2*115	12/4170	13.4	1
SH-E663414H	2*115	15/3330	17	1
SH-E663415H	2*115	18/2780	20.5	1
SH-E663416H	2*115	24/2080	27.1	1
SH-E663417H	2*115	2*6/4170	2*7	2
SH-E663418H	2*115	2*9/2780	2*10.4	2
SH-E663419H	2*115	2*12/2080	2*13.6	2
SH-E663420H	2*115	2*15/1670	2*17.6	2

PHYSICAL CHARACTERISTICS(unit:mm)



4W UI30/7.5 SH-UI3007 Series Encapsulation Transformer

FEATURES

Frequency 50/60Hz
 Potted under vacuum
 Split-bobbin
 Temperature class @ 70°C/B
 Fixing material for $\square 2.5\text{mm}$
 Self-tapping screws: DIN 7513 (M 3x8)
 Sheet-metal screws: DIN 7971 (2.9x6.5)



Additional information:
 We reserve the right to make technical changes or modify the contents of this document without prior notice.

SHARE Ltd. Does not accept any responsibility what so ever for potential errors or possible lack of information in this document.

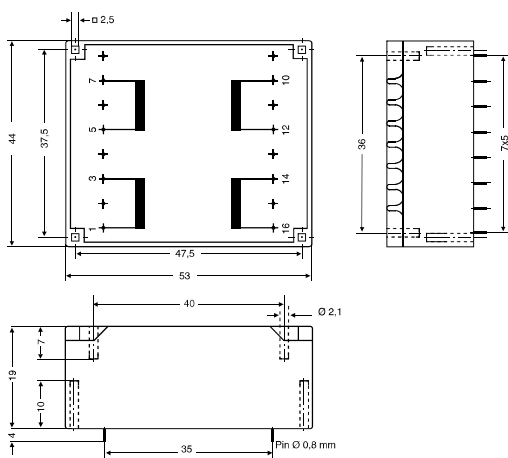
We can offer that even custom-made transformers will be covered by approvals from UL, CSA, KEMA, etc., but we will be happy to assist you in implementing them. New approvals may be required.

Bulk packaging is standard.
 Custom design available.

Medical equipments.
 Industrial equipments.
 Industrial controls.
 Test equipments.
 Industrial computers.
 Avionics & telecom.



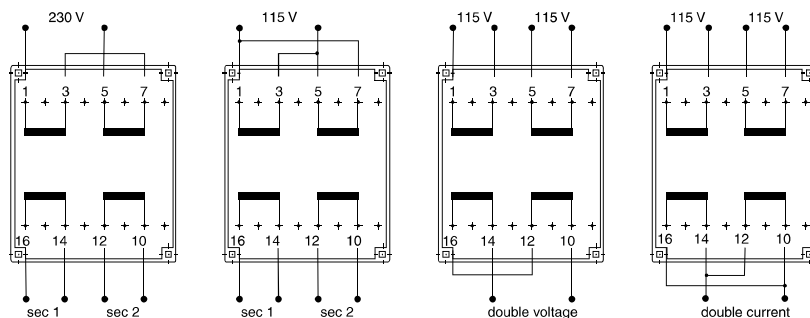
PHYSICAL CHARACTERISTICS(unit:mm)



ELECTRICAL CHARACTERISTICS AT 25°C

Part Number	Primary (V)	Secondary (V/mA)	No-load voltage(V)	Fig.
SH-UI300719	2*115	2*6/333	2*9.4	1
SH-UI300720	2*115	2*9/222	2*14.0	1
SH-UI300721	2*115	2*12/166	2*18.6	1
SH-UI300722	2*115	2*15/133	2*23.3	1
SH-UI300723	2*115	2*18/111	2*28.0	1
SH-UI300724	2*115	2*24/83	2*37.4	1

TECHNICAL INFORMATION



6W UI30/10.5 SH-UI3010 Series Encapsulation Transformer



FEATURES

Frequency 50/60Hz
 Potted under vacuum
 Split-bobbin
 Temperature class @ 70°C/B
 Fixing material for $\square 2.5\text{mm}$
 Self-tapping screws: DIN 7513 (M 3x8)
 Sheet-metal screws: DIN 7971 (2.9x6.5)



Additional information:

We reserve the right to make technical changes or modify the contents of this document without prior notice.

SHARE Ltd. Does not accept any responsibility what so ever for potential errors or possible lack of information in this document.

We can offer that even custom-made transformers will be covered by approvals from UL, CSA, KEMA, etc., but we will be happy to assist you in implementing them. New approvals may be required.

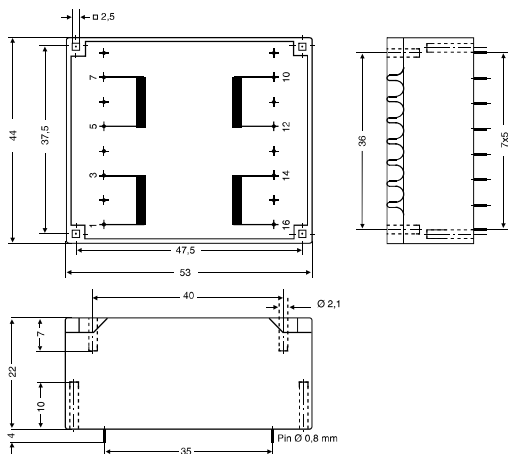
Bulk packaging is standard.
 Custom design available.

Medical equipments.
 Industrial equipments.
 Industrial controls.
 Test equipments.
 Industrial computers.
 Avionics & telecom.

1

LINER POWER

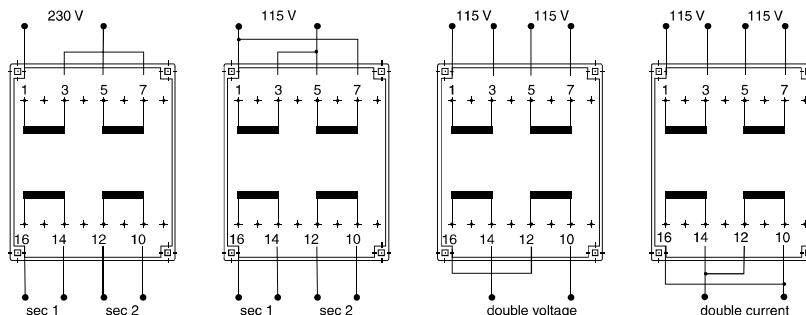
PHYSICAL CHARACTERISTICS(unit:mm)



ELECTRICAL CHARACTERISTICS AT 25°C

Part Number	Primary (V)	Secondary (V/mA)	No-load voltage(V)	Fig.
SH-UI301025	2*115	2*6/500	2*8.1	1
SH-UI301026	2*115	2*9/333	2*12.1	1
SH-UI301027	2*115	2*12/250	2*16.2	1
SH-UI301028	2*115	2*15/200	2*20.2	1
SH-UI301029	2*115	2*18/166	2*24.3	1
SH-UI301030	2*115	2*24/125	2*32.3	1

TECHNICAL INFORMATION



10W UI30/16.5 SH-UI3016 Series Encapsulation Transformer

FEATURES

Frequency 50/60Hz
 Potted under vacuum
 Split-bobbin
 Temperature class @ 70°C/B
 Fixing material for $\square 2.5\text{mm}$
 Self-tapping screws: DIN 7513 (M 3x8)
 Sheet-metal screws: DIN 7971 (2.9x6.5)



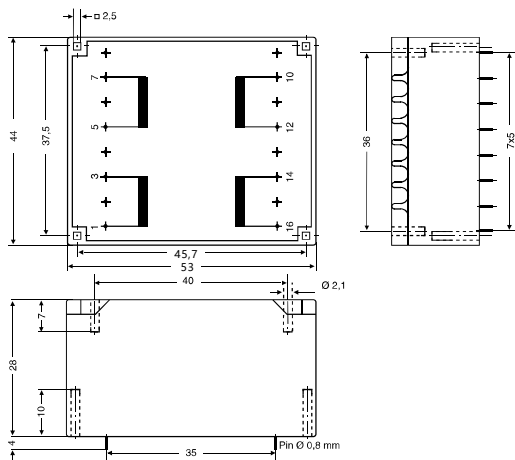
Additional information:
 We reserve the right to make technical changes or modify the contents of this document without prior notice.
 SHARE Ltd. Does not accept any responsibility what so ever for potential errors or possible lack of information in this document.
 We can offer that even custom-made transformers will be covered by approvals from UL, CSA, KEMA, etc., but we will be happy to assist you in implementing them.
 New approvals may be required.

Bulk packaging is standard.
 Custom design available.

Medical equipments.
 Industrial equipments.
 Industrial controls.
 Test equipments.
 Industrial computers.
 Avionics & telecom.



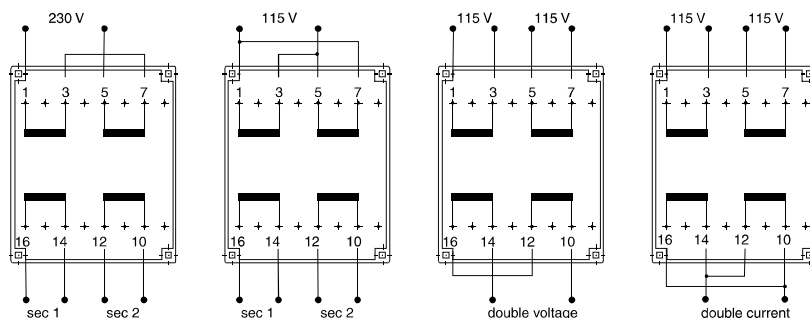
PHYSICAL CHARACTERISTICS(unit:mm)



ELECTRICAL CHARACTERISTICS AT 25°C

Part Number	Primary (V)	Secondary (V/mA)	No-load voltage(V)	Fig.
SH-UI301631	2*115	2*6/833	2*7.9	1
SH-UI301632	2*115	2*9/556	2*11.9	1
SH-UI301633	2*115	2*12/417	2*15.9	1
SH-UI301634	2*115	2*15/333	2*19.8	1
SH-UI301635	2*115	2*18/278	2*23.7	1
SH-UI301636	2*115	2*24/208	2*31.7	1

TECHNICAL INFORMATION



10W UI39/8 SH-UI3908 Series Encapsulation Transformer

FEATURES

Frequency 50/60Hz
 Potted under vacuum
 Split-bobbin
 Temperature class @ 70°C/B
 Fixing material for $\square 2.5\text{mm}$
 Self-tapping screws: DIN 7513 (M 3x8)
 Sheet-metal screws: DIN 7971 (2.9x6.5)



Additional information:
 We reserve the right to make technical changes or modify the contents of this document without prior notice.

SHARE Ltd. Does not accept any responsibility what so ever for potential errors or possible lack of information in this document.

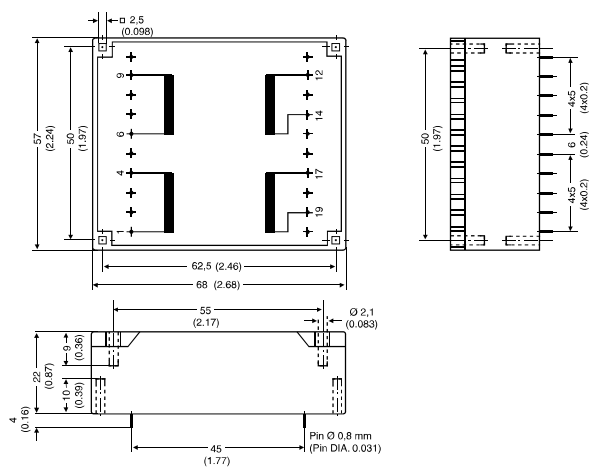
We can offer that even custom-made transformers will be covered by approvals from UL, CSA, KEMA, etc., but we will be happy to assist you in implementing them. New approvals may be required.

Bulk packaging is standard.
 Custom design available.

Medical equipments.
 Industrial equipments.
 Industrial controls.
 Test equipments.
 Industrial computers.
 Avionics & telecom.



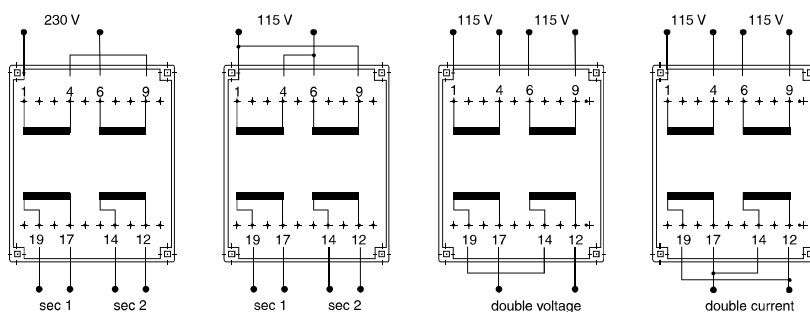
PHYSICAL CHARACTERISTICS(unit:mm)



ELECTRICAL CHARACTERISTICS AT 25°C

Part Number	Primary (V)	Secondary (V/mA)	No-load voltage(V)	Fig.
SH-UI390837	2*115	2*6/833	2*8.2	1
SH-UI390838	2*115	2*9/555	2*12.3	1
SH-UI390839	2*115	2*12/416	2*16.4	1
SH-UI390840	2*115	2*15/333	2*20.5	1
SH-UI390841	2*115	2*18/277	2*24.6	1
SH-UI390842	2*115	2*24/208	2*32.8	1

TECHNICAL INFORMATION



14W UI39/10.2 SH-UI3910 Series Encapsulation Transformer

FEATURES

Frequency 50/60Hz
 Potted under vacuum
 Split-bobbin
 Temperature class @ 70°C/B
 Fixing material for $\square 2.5\text{mm}$
 Self-tapping screws: DIN 7513 (M 3x8)
 Sheet-metal screws: DIN 7971 (2.9x6.5)



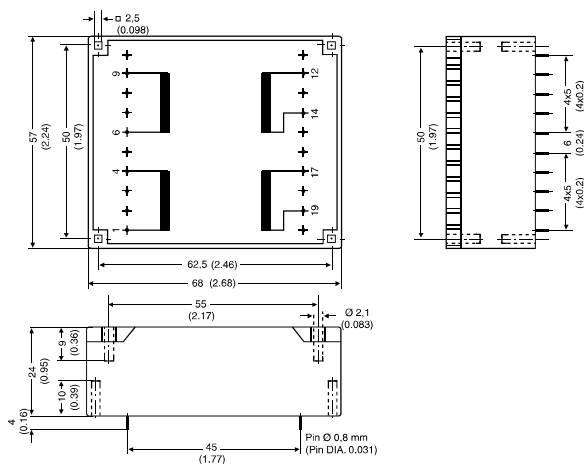
Additional information:
 We reserve the right to make technical changes or modify the contents of this document without prior notice.
 SHARE Ltd. Does not accept any responsibility what so ever for potential errors or possible lack of information in this document.
 We can offer that even custom-made transformers will be covered by approvals from UL, CSA, KEMA, etc., but we will be happy to assist you in implementing them.
 New approvals may be required.

Bulk packaging is standard.
 Custom design available.

Medical equipments.
 Industrial equipments.
 Industrial controls.
 Test equipments.
 Industrial computers.
 Avionics & telecom.



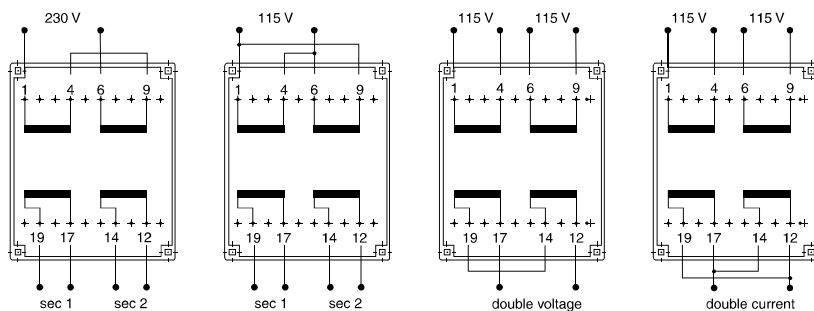
PHYSICAL CHARACTERISTICS(unit:mm)



ELECTRICAL CHARACTERISTICS AT 25°C

Part Number	Primary (V)	Secondary (V/mA)	No-load voltage(V)	Fig.
SH-UI391043	2*115	2*6/1166	2*7.5	1
SH-UI391044	2*115	2*9/778	2*11.2	1
SH-UI391045	2*115	2*12/583	2*15.0	1
SH-UI391046	2*115	2*15/467	2*18.8	1
SH-UI391047	2*115	2*18/389	2*22.4	1
SH-UI391048	2*115	2*24/292	2*30.0	1

TECHNICAL INFORMATION



18W UI39/13.5 SH-UI3913 Series Encapsulation Transformer

FEATURES

Frequency 50/60Hz
 Potted under vacuum
 Split-bobbin
 Temperature class @ 70°C/B
 Fixing material for $\square 2.5\text{mm}$
 Self-tapping screws: DIN 7513 (M 3x8)
 Sheet-metal screws: DIN 7971 (2.9x6.5)



Additional information:
 We reserve the right to make technical changes or modify the contents of this document without prior notice.

SHARE Ltd. Does not accept any responsibility what so ever for potential errors or possible lack of information in this document.

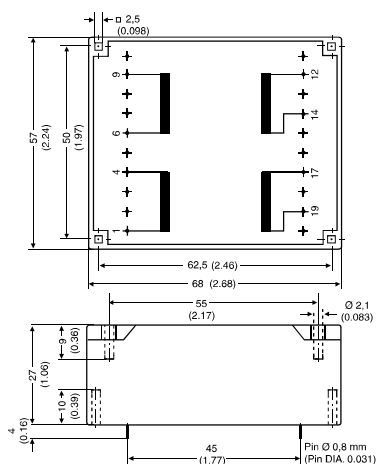
We can offer that even custom-made transformers will be covered by approvals from UL, CSA, KEMA, etc., but we will be happy to assist you in implementing them. New approvals may be required.

Bulk packaging is standard.
 Custom design available.

Medical equipments.
 Industrial equipments.
 Industrial controls.
 Test equipments.
 Industrial computers.
 Avionics & telecom.



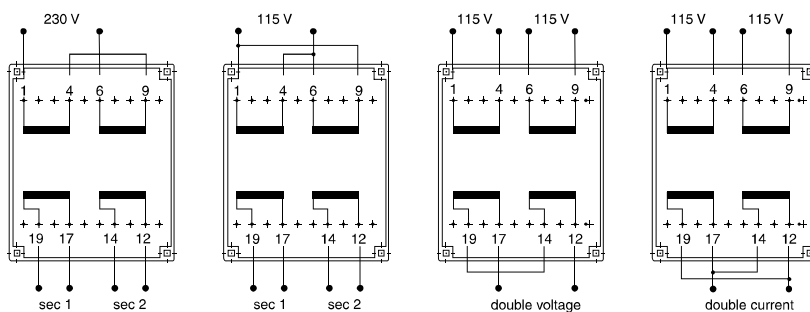
PHYSICAL CHARACTERISTICS(unit:mm)



ELECTRICAL CHARACTERISTICS AT 25°C

Part Number	Primary (V)	Secondary (V/mA)	No-load voltage(V)	Fig.
SH-UI391349	2*115	2*6/1500	2*7.7	1
SH-UI391350	2*115	2*9/1000	2*11.3	1
SH-UI391351	2*115	2*12/750	2*15.3	1
SH-UI391352	2*115	2*15/600	2*19.4	1
SH-UI391353	2*115	2*18/500	2*22.5	1
SH-UI391354	2*115	2*24/375	2*30.6	1

TECHNICAL INFORMATION



24W UI39/17 SH-UI3917 Series Encapsulation Transformer

1

LINEAR POWER



FEATURES

Frequency 50/60Hz
 Potted under vacuum
 Split-bobbin
 Temperature class @ 70°C/B
 Fixing material for $\square 2.5\text{mm}$
 Self-tapping screws: DIN 7513 (M 3x8)
 Sheet-metal screws: DIN 7971 (2.9x6.5)

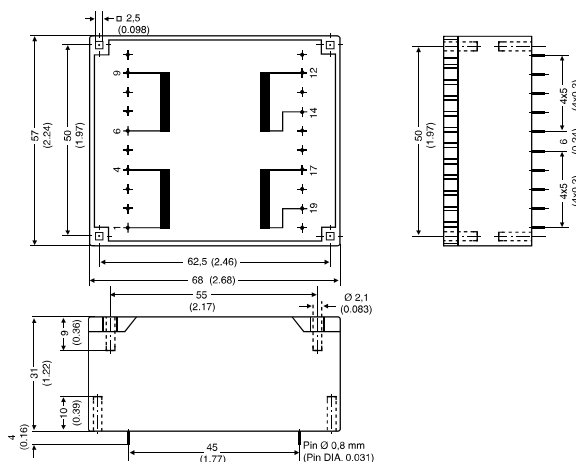


Additional information:
 We reserve the right to make technical changes or modify the contents of this document without prior notice.
 SHARE Ltd. Does not accept any responsibility what so ever for potential errors or possible lack of information in this document.
 We can offer that even custom-made transformers will be covered by approvals from UL, CSA, KEMA, etc., but we will be happy to assist you in implementing them.
 New approvals may be required.

Bulk packaging is standard.
 Custom design available.

Medical equipments.
 Industrial equipments.
 Industrial controls.
 Test equipments.
 Industrial computers.
 Avionics & telecom.

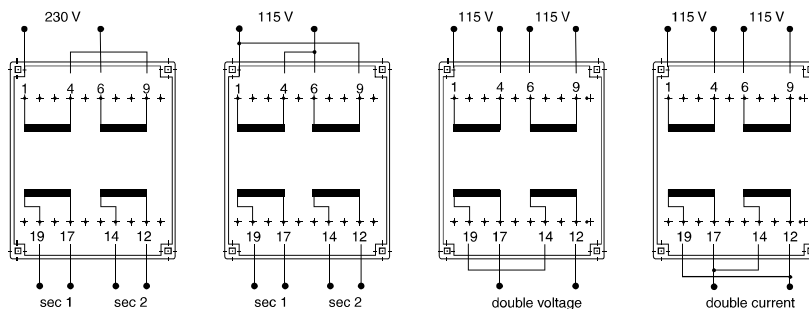
PHYSICAL CHARACTERISTICS(unit:mm)



ELECTRICAL CHARACTERISTICS AT 25°C

Part Number	Primary (V)	Secondary (V/mA)	No-load voltage(V)	Fig.
SH-UI391755	2*115	2*6/2000	2*7.2	1
SH-UI391756	2*115	2*9/1333	2*11.1	1
SH-UI391757	2*115	2*12/1000	2*14.4	1
SH-UI391758	2*115	2*15/800	2*19.2	1
SH-UI391759	2*115	2*18/666	2*22.1	1
SH-UI391760	2*115	2*24/500	2*28.8	1

TECHNICAL INFORMATION



30W UI39/21SH-UI3921 Series Encapsulation Transformer

FEATURES

Frequency 50/60Hz
 Potted under vacuum
 Split-bobbin
 Temperature class @ 70°C/B
 Fixing material for $\square 2.5\text{mm}$
 Self-tapping screws: DIN 7513 (M 3x8)
 Sheet-metal screws: DIN 7971 (2.9x6.5)



Additional information:
 We reserve the right to make technical changes or modify the contents of this document without prior notice.

SHARE Ltd. Does not accept any responsibility what so ever for potential errors or possible lack of information in this document.

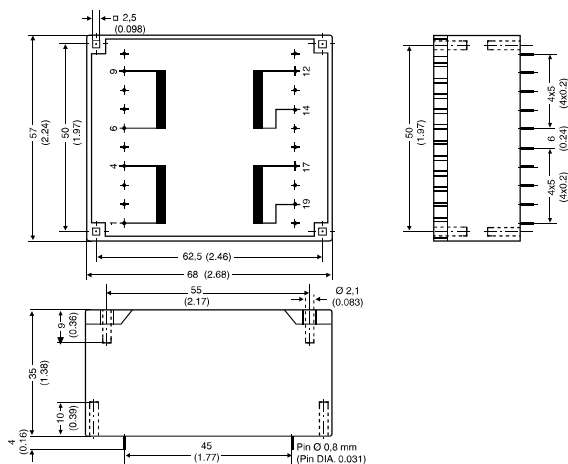
We can offer that even custom-made transformers will be covered by approvals from UL, CSA, KEMA, etc., but we will be happy to assist you in implementing them. New approvals may be required.

Bulk packaging is standard.
 Custom design available.

Medical equipments.
 Industrial equipments.
 Industrial controls.
 Test equipments.
 Industrial computers.
 Avionics & telecom.



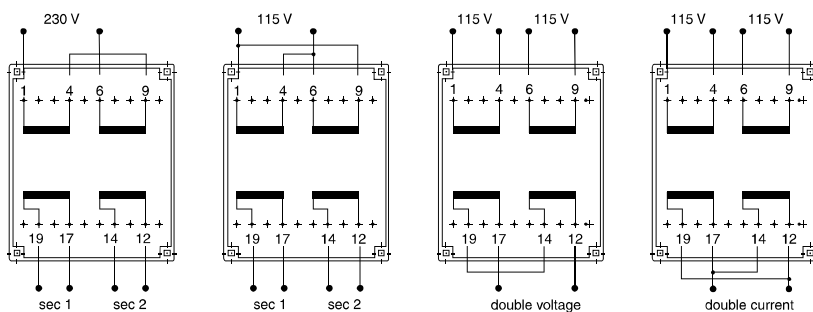
PHYSICAL CHARACTERISTICS(unit:mm)



ELECTRICAL CHARACTERISTICS AT 25°C

Part Number	Primary (V)	Secondary (V/mA)	No-load voltage(V)	Fig.
SH-UI392161	2*115	2*6/2500	2*6.7	1
SH-UI392162	2*115	2*9/1666	2*10.3	1
SH-UI392163	2*115	2*12/1250	2*13.5	1
SH-UI392164	2*115	2*15/1000	2*16.8	1
SH-UI392165	2*115	2*18/833	2*20.6	1
SH-UI392166	2*115	2*24/625	2*27.0	1

TECHNICAL INFORMATION



40W UI48/17 SH-UI4817 Series Encapsulation Transformer



FEATURES

Frequency 50/60Hz
 Potted under vacuum
 Split-bobbin
 Temperature class @ 70°C/B
 Fixing material for $\square 2.5\text{mm}$
 Self-tapping screws: DIN 7513 (M 3x8)
 Sheet-metal screws: DIN 7971 (2.9x6.5)

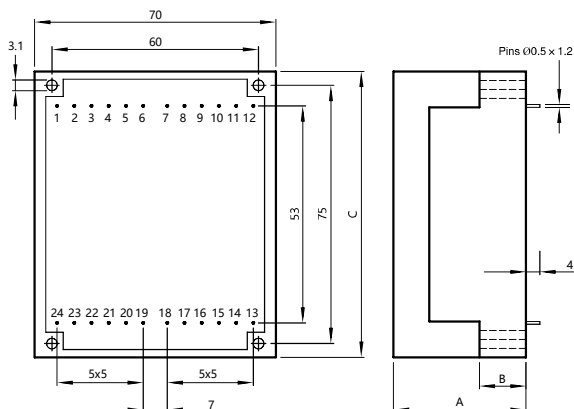


Additional information:
 We reserve the right to make technical changes or modify the contents of this document without prior notice.
 SHARE Ltd. Does not accept any responsibility what so ever for potential errors or possible lack of information in this document.
 We can offer that even custom-made transformers will be covered by approvals from UL, CSA, KEMA, etc., but we will be happy to assist you in implementing them.
 New approvals may be required.

Bulk packaging is standard.
 Custom design available.

Medical equipments.
 Industrial equipments.
 Industrial controls.
 Test equipments.
 Industrial computers.
 Avionics & telecom.

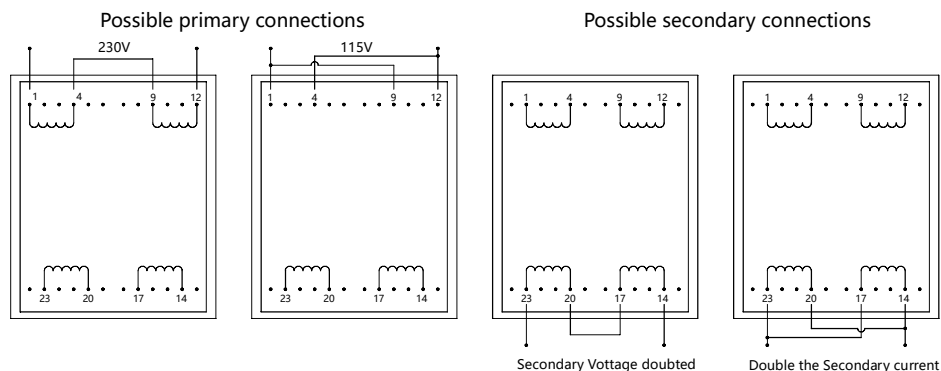
PHYSICAL CHARACTERISTICS(unit:mm)



ELECTRICAL CHARACTERISTICS AT 25°C

Part Number	Primary (V)	Secondary (V/mA)	No-load voltage(V)	Fig.
SH-UI 481767	2*115	2*6/3333	2*6.7	1
SH-UI 481768	2*115	2*9/2222	2*10.0	1
SH-UI 481769	2*115	2*12/1667	2*13.4	1
SH-UI 481770	2*115	2*15/1333	2*16.7	1
SH-UI 481771	2*115	2*18/1111	2*20.1	1
SH-UI 481772	2*115	2*24/833	2*26.8	1

TECHNICAL INFORMATION



60W UI48/26 SH-UI4826 Series Encapsulation Transformer



FEATURES

Frequency 50/60Hz
 Potted under vacuum
 Split-bobbin
 Temperature class @ 70°C/B
 Fixing material for $\square 2.5\text{mm}$
 Self-tapping screws: DIN 7513 (M 3x8)
 Sheet-metal screws: DIN 7971 (2.9x6.5)



Additional information:
 We reserve the right to make technical changes or modify the contents of this document without prior notice.

SHARE Ltd. Does not accept any responsibility what so ever for potential errors or possible lack of information in this document.

We can offer that even custom-made transformers will be covered by approvals from UL, CSA, KEMA, etc., but we will be happy to assist you in implementing them. New approvals may be required.

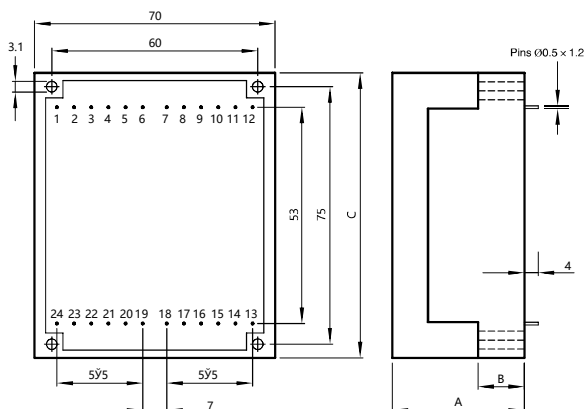
Bulk packaging is standard.
 Custom design available.

Medical equipments.
 Industrial equipments.
 Industrial controls.
 Test equipments.
 Industrial computers.
 Avionics & telecom.

1

LINER POWER

PHYSICAL CHARACTERISTICS(unit:mm)



ELECTRICAL CHARACTERISTICS AT 25°C

Part Number	Primary (V)	Secondary (V/mA)	No-load voltage(V)	Fig.
SH-UI 482673	2*115	2*6/5000	2*6.6	1
SH-UI 482674	2*115	2*9/3333	2*9.9	1
SH-UI 482675	2*115	2*12/2500	2*13.1	1
SH-UI 482676	2*115	2*15/2000	2*16.4	1
SH-UI 482677	2*115	2*18/1667	2*19.7	1
SH-UI 482678	2*115	2*24/1250	2*26.3	1

TECHNICAL INFORMATION

